

CVM

Power analyzers



More than simply measuring...



Manage

Record the real cost of your manufacturing processes and the kgCO₂ emissions of your installation during different time bands.

Quantify

Record the total cost of electrical energy consumed by your installation, including the operating time of each line, process or activity.

Analyse

Obtain information about a large number of electrical variables in real time to achieve the maximum energy efficiency of your installations.

And much more...

Use your inputs and outputs to manage loads and processes, and to combine different communication modes used in your installation to gather data.

A vast range of possibilities

Users need increasingly advanced measurement, control and management systems, as a result of the perpetual growth of energy costs. CIRCUTOR offers a wide range of power analyzers that can cater for the most demanding needs of its customers. CIRCUTOR, a leading company in the Electrical Energy Efficiency sector, offers units that can measure many different electrical parameters, such as energy meters and management software, allowing customers to control and optimise the performance of their installations.

We offer solutions

Much more than a power analyzer



CIRCUTOR's power analyzers are much more than a simple power analyzer. These units feature many different communication options, inputs and outputs used to control consumption and industrial processes and they can manage any type of alarm. In addition, the user can calculate the cost of energy, kgCO₂ emissions and the operating time of their production processes. Units communicate via our **PowerStudio Scada** monitoring and management software, a system that provides all information required for implementing real time actions and for preparing studies and reports about the behaviour of your network.

The most complete range



Our products are suited to any type of installation and space; they can be mounted on a panel or DIN rail in both High and Low Voltage installations. Our offer ranges from the most complete unit with a 0.5S energy accuracy that measures up to the 50th harmonic, communications and more than 700 variables, to the most basic unit, which measures the main electrical parameters and without communication system. All of our analyzers are very easy to install helping to save time and money.

Always with our customers in mind



CIRCUTOR has a vast network of professionals that are always ready to help you choose the best product, adapted to your needs and those of your customers. In addition, our technical assistance service is always there to help you, guaranteeing the success of your projects.

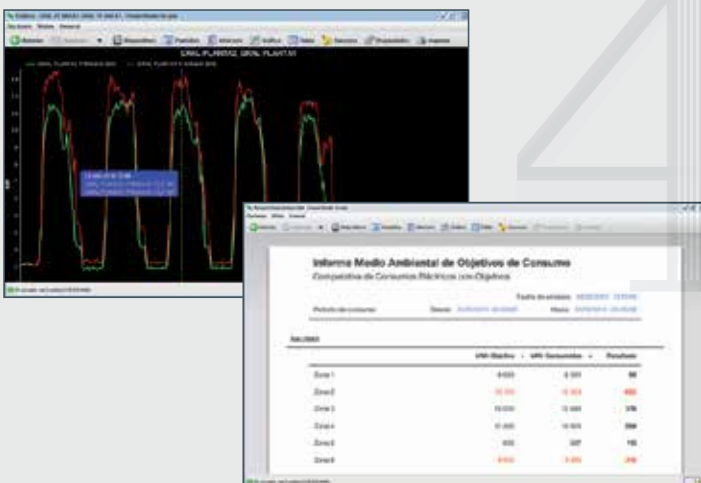
We offer products that have been exclusively design to help our customers enter or consolidate their position in the electrical energy efficiency sector. Discover our winning formula:

MEASUREMENT + MANAGEMENT =
SAVINGS

Why should you install a power analyzer?

Gathering information is vital to know, understand and perform actions that reduce the cost of energy.

- / Learn more about where and when you are consuming
 - / Control and reduce unnecessary and inefficient consumption
 - / Anticipate possible penalties due to excess power or the consumption of reactive energy and remove them from your electricity bill
 - / The software can perform a continuous and simple energy and electric audit
- Connect to <http://powerstudio.circuitor.com>



Powerstudio
circuitor.com SCADA

Permanently communicated

You can get the most out of the models with built-in communication systems when they are combined with **PowerStudio**, CIRCUTOR's energy monitoring and supervision software. In addition, **PowerStudio Scada**, can display electrical parameters in real time, generating a database in the computer, which will store the log of values that can be analysed exhaustively later on.

Where are analyzers installed?

Main

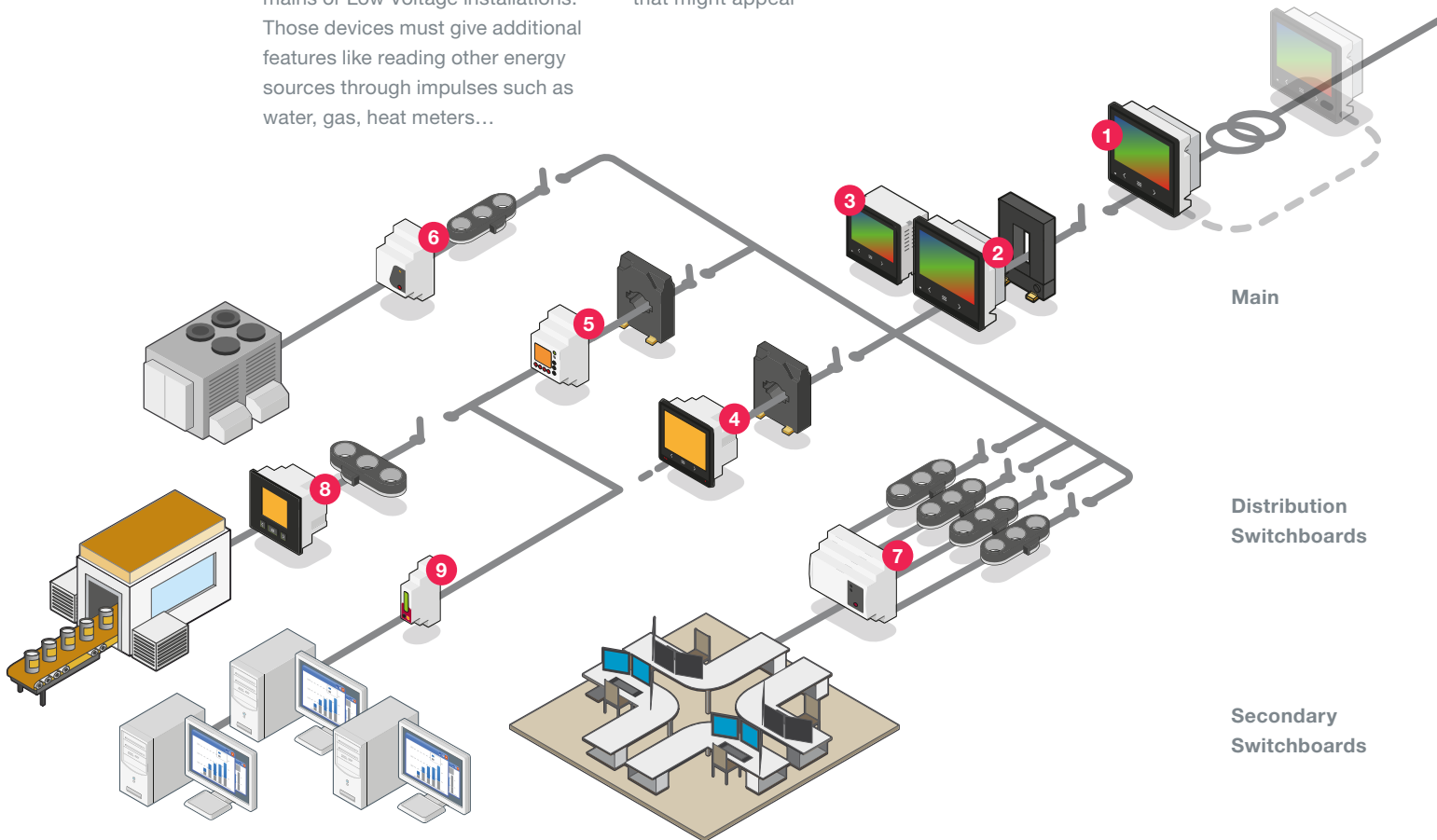
Devices with high performance and accuracy for monitoring, registering and controlling energy and electrical variables of any installation. Specially designed to be connected in Medium Voltage applications or in the mains or Low Voltage installations. Those devices must give additional features like reading other energy sources through impulses such as water, gas, heat meters...

Distribution Switchboards

Devices dedicated to register electrical parameters and energy consumption in distribution switchboards. Provide relevant information related the status of each electrical line as well as reporting any alarm that might appear

Secondary Switchboards

Devices dedicated to read loads which are installed at the end of the lines or secondary Low Voltage switchboards. Those gives fully information related the status and consumption of each load or line.



Power analyzers on Main

- 1 CVM-A1500** (Panel 144x144 mm)
High-performance three-phase power analyzer with communication system and supply quality.
- 2 CVM-B150** (Panel 144x144 mm)
High-performance three-phase power analyzer with communication system.
- 3 CVM-B100** (Panel 96x96 mm)
High-performance three-phase power analyzer with communication system.

Power analyzers on distribution switchboards

- 4 CVM-C10** (Panel 96x96 mm)
Three-phase power analyzer with RS-485 communications.
- 5 CVM-MINI** (3 DIN rail module)
Indirect three-phase power analyzer with LCD display and communication system.
- 6 CVM-NET** (3 DIN rail module)
Indirect three-phase power analyzer with RS-485 communications.
- 7 CVM-NET4+** (6 DIN rail module)
Indirect three-phase power analyzer for 4 three-phase networks with RS-485 communications.

Power analyzers on secondary switchboards

- 8 CVM-C5** (Panel 96x96 mm)
Multifunction multimeter with energy meter.
- 9 CVM-1D** (1 DIN rail module)
Basic single-phase power analyzer.

Panel mounted Power Analyzers

The **CVM** series of panel mounted analyzers (96x96 or 144x144) features very accurate units, which have been designed to control and supervise the main electrical parameters of different network topologies: Single-phase, Two-phase with or without neutral and Three-phase with or without neutral. The unit features two indirect current inputs, either with .../5 A, .../1 A secondary or with **MC1** and **MC3** efficient transformers (.../250 mA). The units feature ITF technology: galvanic insulation protection. In addition, these analyzers can perfectly cater for new market needs, provi-

ding information associated with Electrical Energy Efficiency management parameters, showing different variables, such as: kgCO₂ Emissions, Cost of energy and Operating time. The different combinations of inputs and outputs can check your installation to prevent and/or improve processes. This is why it has become **the most original range in the market**, offering a series of advantages, such as: Modular and Expandable System, Communications, Definition of custom screens, Colour graphical display (digital and analogue), etc.



CVM-C5



CVM-C10



CVM-B100



CVM-B150



CVM-A1500

SELECTION GUIDE

| | | | | | | | |
|--------------------------------|---|--|-------------------------------------|----------------------------------|----------------------------------|-----------------------------------|---------------------------|
| | | | | | | | |
| Panel mounted | | | | | | | |
| 96 x 96 mm | | | 144 x 144 mm | | Single phase | | |
| Display | | | | | Display | | |
| NO Coms. | Communications | | | | NO Coms. Coms. | | |
| Digital Inputs / Outputs | | | | | Digital Outputs | | |
| NO Expandable | | | Expandable | | NO Harmonics | | |
| NO Coms. | Modbus RTU RS485 | Modbus RTU RS485 / BACnet | | | NO Coms. Modbus RTU RS485 | | |
| | | Flexible Clamps | | Power Quality | | | |
| CVM-C5 -IC -MC-IC | CVM-C5 -ITF-485-C -ITF-485-I -MC-485-C -MC-485-I | CVM-C10 -ITF-485-ICT2 -MC-485-ICT2 -ITF-IN-485-IC2 -MV-485-ICT2 | CVM-C10 -FLEX-IN-485-ICT2 | CVM-B100 -ITF-485-ICT2 | CVM-B150 -ITF-485-ICT2 | CVM-A1500 -ITF-485-ICT2 | |
| Page 10 | Page 10 | Page 12 | Page 14 | Page 16 | Page 16 | Page 21 | |
| | | | | | | CVM-1D -C | CVM-1D -RS485-C |
| | | | | | | Page 28 | Page 28 |

Power Analyzers for assembly on DIN Rail

The **CVM** series of DIN rail analyzers features units that have been especially designed for installation on switchboards or industrial machinery. Their main purpose is to control and supervise the main electrical parameters of different network topologies: Single-phase, Two-phase with or without neutral and Three-phase with or without neutral. The CIRCUTOR range of analyzers can cater for different market needs, with direct single-phase connection (up to 32 A) and models with indirect current inputs, either with a .../5 A , .../1 A

secondary (depending on the model) or with **MC1** and **MC3** efficient transformers (.../250 mA). The units feature ITF technology: galvanic insulation protection. Therefore, CIRCUTOR offers a wide range of power analyzers for assembly on DIN rails to the market, which take up less space on electric panels, while offering a great number of possibilities.



CVM-1D CVM-NET CVM-MINI CVM-NET4+

| DIN rail mounted | | | | | | | | | |
|---|-----------------|--|--|-------------------------------------|-----------------------------------|-------------------------------------|--|--------------------------------------|---|
| Three phase | | | | | | Mixed | | | |
| NO Display | Display | | | | | | NO Display | | |
| Coms. | NO Coms. | | Communications | | | | | | |
| Digital Outputs | NO Outputs | | Digital Outputs | | | | | | |
| NO Harmonics | | | | | | Harmonics | | | |
| Modbus RTU RS485 | NO Coms. | | Modbus TCP TCP/IP | BACnet | LonWorks | Modbus RTU RS485 | Modbus RTU RS485 | | |
| 1 three phase line | | | | | | | 4 three phase or 12 single phase lines | | |
| CVM-NET -ITF-RS485-C2 -MC-ITF-RS485-C2 | CVM-MINI | | CVM-MINI -MC-ITF-C2 -ITF-C2 | CVM-MINI -ITF-Ethernet-C2 | CVM-MINI -ITF-BACnet-C2 | CVM-MINI -ITF-LonWorks-C2 | CVM-MINI -ITF-RS485-C2 -MC-ITF-RS485-C2 | CVM-MINI -ITF-HAR-RS485-C2 | CVM-NET4+ -ITF-RS485-C2 -MC-ITF-RS485-C2 |
| Page 30 | Page 32 | | Page 32 | Page 32 | Page 20 | Page 32 | Page 32 | Page 34 | |

SELECTION GUIDE

Comparison table
Panel mounted



CVM C5



CVM C10

| | | CVM-C5-IC (*1) CVM-C5-ITF-485-C (*2) CVM-C5-ITF-485-I (*3) | CVM-C5-MC-IC (*1) CVM-C5-MC-485-C (*2) CVM-C5-MC-485-I (*3) | CVM-C10-ITF-485-ICT2 (*1) CVM-C10-SDC-ITF-485-ICT2 (*2) | CVM-C10-MC-485-ICT2 |
|----------------------------------|------------------------------------|--|---|--|---|
| Power circuit | Power supply voltage | 85-265 V a.c. / 95-300 V d.c. | 85-265 V a.c. / 95-300 V d.c. | 85-265 V a.c. / 95-300 V d.c. (*1) 20-120 V d.c. (*2) | 85-265 V a.c. / 95-300 V d.c. |
| | Frequency | 50...60 Hz | 50...60 Hz | 50...60 Hz | 50...60 Hz |
| | Consumption | 3.5...6 VA; 2...6 W | 3.5...6 VA; 2...6 W | 4...6 VA; 2...6 W (*1) 4...6 VA; 3.5...3 W (*2) | 4...6 VA; 2...6 W |
| | Installation category | CAT III (300V) | CAT III (300V) | CAT III (300V) | CAT III (300V) |
| Voltage measurement circuit | Voltage | 300 V a.c. (ph-n) 520 V a.c. (ph-ph) | 300 V a.c. (ph-n) 520 V a.c. (ph-ph) | 300 V a.c. (ph-n) 520 V a.c. (ph-ph) | 300 V a.c. (ph-n) 520 V a.c. (ph-ph) |
| | Voltage measurement margin | 5...120% (U _n) | 5...120% (U _n) | 5...120% (U _n) | 5...120% (U _n) |
| | Frequency measurement margin | 45...65 Hz | 45...65 Hz | 45...65 Hz | 45...65 Hz |
| | | | | | |
| Current measurement circuit | Nominal current | .../5 A δ .../1 A | .../250 mA (MC) | .../5 A δ .../1 A | .../250 mA (MC) |
| | Maximum current | 1.1 I _n | 1.1 I _n | 1.2 I _n | 1.2 I _n |
| | Current measurement margin | 5...110% I _n | 5...110% I _n | 2...120% I _n | 2...120% I _n |
| | Neutral current | - | - | - | - |
| Sampling | Samples/cycle | 32 | 32 | 64 | 64 |
| | | | | | |
| Accuracy | Voltage | 0.5% | 0.5% | 0.5% + 1 digit | 0.5% + 1 digit |
| | Current | 0.5% \pm 1 digit | 0.5% \pm 1 digit | 0.5% + 1 digit | 0.5% + 1 digit |
| | Active power | 1% \pm 1 digit | 1% \pm 1 digit | 0.5% + 2 digits | 1% + 2 digits |
| | Reactive power | 1% \pm 1 digit | 1% \pm 1 digit | 1% + 2 digits | 2% + 2 digits |
| | Active energy | 1% (Class 1) | 1% (Class 1) | I \geq 0,1 I _n (Class 0,55) | 1% (Class 1) |
| | Reactive energy | 1% (Class 1) | 1% (Class 1) | 1% (Class 1) | 2% (Class 2) |
| | | | | | |
| Digital transistor outputs (NPN) | Quantity | 1 (*1, *2) | 1 (*1, *2) | 2 | 2 |
| | Maximum voltage | 24 V d.c. | 24 V d.c. | 24 V d.c. | 24 V d.c. |
| | Maximum current | 50 mA | 50 mA | 50 mA | 50 mA |
| | Weight | Configurable | Configurable | Configurable | Configurable |
| Digital relay outputs | Quantity | - | - | 2 | 2 |
| | Maximum voltage open contacts | - | - | 250 V a.c. | 250 V a.c. |
| | Thermal current (I _{th}) | - | - | 6 A | 6 A |
| | Maximum switching power | - | - | 1500 VA (250 V a.c. / 5 A) | 1500 VA (250 V a.c. / 5 A) |
| Potential-free digital inputs | Insulation | Optoisolated | Optoisolated | Optoisolated | Optoisolated |
| | Quantity | 1 (*1, *3) | 1 (*1, *3) | 2 | 2 |
| Parameters | V. A. W. Wh. var. cos ϕ | • | • | • | • |
| | Quadrants | 4 | 4 | 4 | 4 |
| | THD | • | • | • | • |
| | Harmonics | - | - | 31 | 31 |
| | Phase parameters | • | • | • | • |
| | Maximum demand | • | • | • | • |
| | Tariffs | 2 (*1, *3) | 2 (*1, *3) | 3 | 3 |
| | Hours. Cost. kgCO ₂ | • | • | • | • |
| | Single phase measurement | • | • | • | • |
| | Three phase measurement | • | • | • | • |
| Front panel | Display | LCD | LCD | LCD custom COG | LCD custom COG |
| | Keyboard | Silicone Button | Silicone Button | Capacitive | Capacitive |
| Communications | RS-485 | •(*2, *3) | •(*2, *3) | • | • |
| | Ethernet | - | - | - | - |
| Protocols | ModBus/RTU | •(*2, *3) | •(*2, *3) | • | • |
| | ModBus/TCP | - | - | - | - |
| | BacNet | - | - | • | • |
| | LonWorks | - | - | - | - |
| | MBUS | - | - | - | - |
| | PROFIBUS | - | - | - | - |
| Expandable | Additional modules | - | - | - | - |
| Standards | Designed according to UL | - | - | • | • |
| | Designed according to MID | - | - | • | • |
| Environmental features | Working temperature | -5°C ... +45°C | -5°C ... +45°C | -5°C ... +45°C | -5°C ... +45°C |
| | Relative humidity (non-condensing) | 5 ... 95% | 5 ... 95% | 5 ... 95% | 5 ... 95% |
| | Protection Degree | IP 31 - Frontal : IP 51 | IP 31 - Frontal : IP 51 | IP 31 - Frontal : IP 51 IP 64 (with accessories) | IP 31 - Frontal : IP 51 IP 64 (with accessories) |
| Mechanical features | Dimensions | 96.7 x 96.7 x 62.6 mm | 96.7 x 96.7 x 62.6 mm | 96.7 x 96.7 x 63.4 mm | 96.7 x 96.7 x 63.4 mm |
| | Format | 96 x 96 | 96 x 96 | 96 x 96 | 96 x 96 |
| | Weight (Kg) | 0.480 | 0.480 | 0.330 | 0.330 |



CVM B100



CVM B150



CVM A1500

| CVM-C10-ITF-IN-485-ICT2 | CVM-C10-FLEX-IN-485-I2 (*1) CVM-C10-SDC-FLEX-IN-485-I2 (*2) | CVM-B100-ITF-485-ICT2 (*1) CVM-B100-SDC-ITF-485-ICT2 (*2) | CVM-B150-ITF-485-ICT2 (*1) CVM-B150-SDC-ITF-485-ICT2 (*2) | CVM-A1500-ITF-485-ICT2 (*1) CVM-A1500-SDC-ITF-485-ICT2 (*2) |
|---|--|---|---|--|
| 85-265 V a.c. / 95-300 V d.c. | 85-265 V a.c. / 95-300 V d.c. (*1) 20-120 V d.c. (*2) | 85-265 V a.c. / 120-300 V d.c. (*1) 20-120 V d.c. (*2) | 85-265 V a.c. / 120-300 V d.c. (*1) 20-120 V d.c. (*2) | 85-265 V a.c. / 120-300 V d.c. (*1) 20-120 V d.c. (*2) |
| 50...60 Hz | 50...60 Hz | 45...65 Hz | 45...65 Hz | 50...60 Hz |
| 4...6 VA; 2...6 W | 4...6 VA; 2...6 W | 6...8 VA; 3...4 W (*1) 5...6 W (*2) | 7...12 VA; 4...7 W (*1) 7...8 W (*2) | max 29,4 VA; max 11,9 W (*1) max 13,8 W (*2) |
| CAT III (300V) | CAT III (300V) | CAT III (300V) | CAT III (300V) | CAT III (300V) |
| 300 V a.c. (ph-n) 520 V a.c. (ph-ph) | 300 V a.c. (ph-n) 520 V a.c. (ph-ph) | Hasta 600 V a.c. (ph-n) Hasta 1000 V a.c. (ph-ph) | Hasta 600 V a.c. (ph-n) Hasta 1000 V a.c. (ph-ph) | Hasta 600 V a.c. (ph-n) Hasta 1000 V a.c. (ph-ph) |
| 5...120% (U _n) | 5...120% (U _n) | 7...200% (U _n) | 7...200% (U _n) | 7...200% (U _n) |
| 45...65 Hz | 45...65 Hz | 40...70 Hz | 40...70 Hz | 40...70 Hz |
| .../5 A ó .../1 A | 1000 A / 100 mV | .../5 A .../1 A ó .../250 mA (MC) | .../5 A .../1 A ó .../250 mA (MC) | .../5 A .../1 A ó .../250 mA (MC) |
| 1.2 I _n | 2 I _n | 2 I _n | 2 I _n | 2 I _n |
| 2...120% I _n | 2...200% I _n | 0.2...200% I _n (.../5 A) 1...200% I _n (.../1 A) 4...200% I _n (.../250 mA) | 0.2...200% I _n (.../5 A) 1...200% I _n (.../1 A) 4...200% I _n (.../250 mA) | 0.2...200% I _n (.../5 A) 1...200% I _n (.../1 A) 4...200% I _n (.../250 mA) |
| • | • | • | • | • |
| 64 | 64 | 128 | 128 | 128 |
| 0.5% + 1 digit | ±0,5% + 1 digit | 0,2% + 1 digit / 0,5% + 1 digit (U _n) | 0,2% + 1 digit / 0,5% + 1 digit (U _n) | 0,1% ± 1 digit |
| 0.5% + 1 digit | ±3% | 0,2% ± 1 digit | 0,2% ± 1 digit | 0,1% ± 1 digit for .../5A |
| 0.5% + 2 digits | ±4% | 0,5% + 1 digit | 0,5% + 1 digit | 0,2% + 2 digit for .../5A |
| 1% + 2 digits | ±4% | 1% + 1 digit | 1% + 1 digit | 1% + 1 digit for .../5A |
| I ≥ 0,1 I _n (Class 0,5S) | 1% (Class 1) | 0,5% (Class 0,5S) for .../5 A 1% (Class 1) for .../1A ó .../250 mA | 0,5% (Class 0,5S) for .../5 A 1% (Class 1) for .../1A ó .../250 mA | 0,2% (Class 0,2S) for .../5 A, 0,5% (Class 0,5S) for .../1 A ó .../250 mA |
| 1% (Class 1) | 2% (Class 2) | 1% (Class 1) for .../5 A 2% (Class 2) for .../1A ó .../250 mA | 1% (Class 1) for .../5 A 2% (Class 2) for .../1A ó .../250 mA | 1% (Class 1) for .../5 A 2% (Class 2) for .../1A ó .../250 mA |
| - | - | 2 | 2 | 2 |
| - | - | 48 V d.c. | 48 V d.c. | 48 V d.c. |
| - | - | 130 mA | 130 mA | 130 mA |
| - | - | Configurable | Configurable | Configurable |
| 2 | - | 2 | 2 | 2 |
| 250 V a.c. | - | 250 V a.c. | 250 V a.c. | 250 V a.c. |
| 6 A | - | 6 A | 6 A | 6 A |
| 1500 VA (250 V a.c. / 5 A) | - | 1500 VA (250 V a.c. / 5 A) | 1500 VA (250 V a.c. / 5 A) | 1500 VA (250 V a.c. / 5 A) |
| Optoisolated | Optoisolated | Optoisolated | Optoisolated | Optoisolated |
| 2 | 2 | 2 | 2 | 2 |
| • | • | • | • | • |
| 4 | 4 | 4 | 4 | 4 |
| • | • | • | • | • |
| 31 | 31 | 50 | 50 | 50 |
| • | • | • | • | • |
| • | • | • | • | • |
| 3 | 3 | 3 | 3 | 3 |
| • | • | • | • | • |
| • | • | • | • | • |
| • | • | • | • | • |
| LCD custom COG | LCD custom COG | TFT color display | TFT color display | TFT color display |
| Capacitive | Capacitive | Capacitive | Capacitive | Capacitive |
| • | • | • | • | • |
| - | - | M-CVM-AB-Modbus-TCP (Bridge) | M-CVM-AB-Modbus-TCP (Bridge) | M-CVM-AB-Dataloggerbuilt-in(WebServer) |
| • | • | • | • | • |
| - | - | M-CVM-AB-Modbus-TCP (Bridge) | M-CVM-AB-Modbus-TCP (Bridge) | M-CVM-AB-Modbus-TCP (Bridge) |
| • | • | • | • | • |
| - | - | M-CVM-AB-LonWorks | M-CVM-AB-LonWorks | M-CVM-AB-LonWorks |
| • | • | • | • | • |
| - | - | M-CVM-AB-MBUS | M-CVM-AB-MBUS | M-CVM-AB-MBUS |
| • | • | • | • | • |
| - | - | M-CVM-AB-Profibus | M-CVM-AB-Profibus | M-CVM-AB-Profibus |
| • | • | • | • | • |
| - | - | • 8 transistor outputs + 8 digital inputs • 8 relay outputs + 8 digital inputs • 8 analog outputs (0/4...20 mA) + 4 analog inputs (0/4...20 mA) •Datalogger(Built-inenergymanagement software + memory + Ethernet) | • 8 transistor outputs + 8 digital inputs • 8 relay outputs + 8 digital inputs • 8 analog outputs (0/4...20 mA) + 4 analog inputs (0/4...20 mA) •Datalogger(Built-inenergymanagement software + memory + Ethernet) | • 8 transistor outputs + 8 digital inputs • 8 relay outputs + 8 digital inputs • 8 analog outputs (0/4...20 mA) + 4 analog inputs (0/4...20 mA) • Modbus-TCP (Bridge) • Modbus-TCP (Switch) |
| • | • | • | • | • |
| • | • | • | • | • |
| -5°C ... +45°C | -5°C ... +45°C | -10°C ... +50°C | -10°C ... +50°C | -10°C ... +50°C |
| 5 ... 95% | 5 ... 95% | 5 ... 95% | 5 ... 95% | 5 ... 95% |
| IP 31 - Frontal : IP 51 IP 64 (with accessories) | IP 31 - Frontal : IP 51 IP 64 (with accessories) | IP 30 - Frontal : IP 40 IP 65 (with accessories) | IP 30 - Frontal : IP 40 IP 65 (with accessories) | IP 30 - Frontal : IP 40 IP 65 (with accessories) |
| 96.7 x 96.7 x 63.4 mm | 96.7 x 96.7 x 63.4 mm | 98.7 x 97 x 110.50 mm | 144.7 x 144.7 x 110.50 mm | 144.7 x 144.7 x 131.1 mm |
| 96 x 96 | 96 x 96 | 96 x 96 | 144 x 144 | 144 x 144 |
| 0.330 | 0.330 | 0.500 | 0.698 | 0.778 |

CVM-C5

Multifunctional multimeter for panel



Description

The **CVM-C5** is a panel mounted (96 x 96 mm) multimeter that records energy values. Compact and intuitive, with 4-quadrant measurement (Consumption and Generation). The **CVM-C5** is suitable for Low Voltage installations, in both 3 and 4-wire three-phase circuits, two-phase circuits with or without neutral, single-phase circuits or ARON connections.

Display features and interface:

- Quick display of parameters with a single button
- Clearly displays the electric parameters of the installation
- Displays the electricity consumption value according to the cost per kWh
- kgCO₂ consumption/generation indicator or according to the energy source
- Backlit LCD screen
- Operating hour indicator for preventive maintenance.

Other features:

- Modbus/RS-485 communications (optional)
- Measurement with **CIRCUTOR's MC** efficient current transformers or .../5 A, .../1 A or .../333 mV transformers.
- 1 digital output (S0 interface)
- 1 digital input (tariff or energy source selection)
- Maximum, minimum values and maximum demand.

Applications

- Recording and displaying the consumption of energy from two different sources (network/generator set).
- Generation of an impulse signal associated with the cost, kgCO₂ emissions or savings, according to the consumption or generation of energy.
- Generation of alarms with a transistor output; configurable parameters: Low/High, hysteresis (%), NO/NC, connection/disconnection delay and interlocking.

Technical features

| | | |
|---------------------------------|--|---|
| Power circuit | Power supply voltage | 85-265 Vac / 50...60 Hz 95-300 Vdc |
| | Measurement circuit | Voltage |
| Accuracy class | Frequency | 45 ... 65 Hz |
| | Current | .../5 A or .../1 A MC : .../250 mA .../333 mV |
| | Sampling | 32 samples/cycle |
| | V, A | 0,5% |
| Output | Power / Energy | 1% |
| | 1 digital output | S0 interface Configurable, up to 1,000 impulses per kW-h, kvar-h, etc. (24 Vdc max., 50 mA, 5 imp/s, Configurable Max. T _{on} /T _{off}) |
| Input | 1 digital input | Tariff selection, NPN, optocoupled |
| Communications | Protocol | RS-485 Modbus/RTU (depending on model) |
| | Speed | 9600, 19200, 38400 |
| | Bit, parity, stop | 8, n, 1 |
| Build features | Enclosure | VO self-extinguishing plastic |
| | IP protection degree | Front panel: IP 51 Rear: IP 31 |
| | Dimensions | 96,7 x 96,7 x 62,60 mm |
| Environmental conditions | Working temperature | -5...+45 °C |
| | Storage temperature | -10...+50 °C |
| | Relative humidity | 5 ... 95% |
| | Maximum altitude | 2000 m |
| Safety | Class III according to EN 61010 Double-insulated electric shock protection, Class II | |
| Standards | IEC 664, VDE 0110, UL 94, IEC 801, IEC 348, IEC 571-1, EN 61000-6-3, EN 61000-6-1, EN 61010-1, CE, UL certified | |

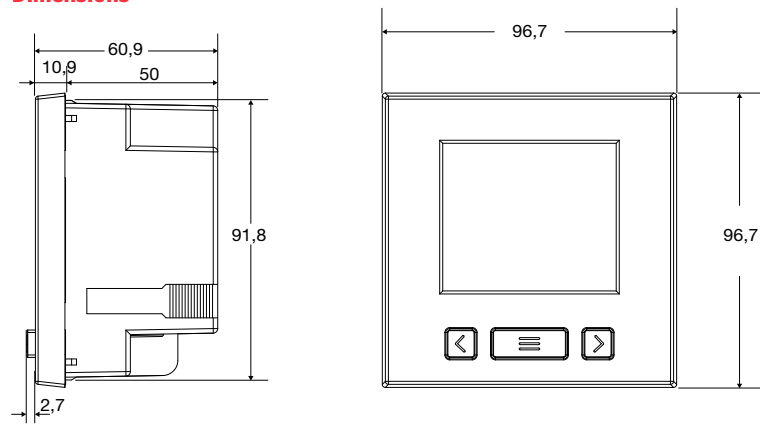
CVM-C5

Multifunctional multimeter for panel

References

| Current input | Inputs | Outputs | Communication | Type | Code |
|------------------|--------|---------|---------------|------------------|---------------|
| .../5 A, .../1 A | 1 | 1 | - | CVM-C5-IC | M55853 |
| .../250 mA | 1 | 1 | - | CVM-C5-MC-IC | M55873 |
| .../333 mV | 1 | 1 | - | CMV-C5-mV-IC | M558730000V00 |
| .../5 A, .../1 A | - | 1 | RS-485 | CVM-C5-ITF-485-C | M55884 |
| .../5 A, .../1 A | 1 | - | RS-485 | CVM-C5-ITF-485-I | M55885 |
| .../250 mA | - | 1 | RS-485 | CVM-C5-MC-485-C | M55894 |
| .../250 mA | 1 | - | RS-485 | CVM-C5-MC-485-I | M55895 |
| .../333 mV | - | 1 | RS-485 | CVM-C5-mV-485-C | M558940000V00 |
| .../333 mV | 1 | - | RS-485 | CVM-C5-mV-485-I | M558950000V00 |

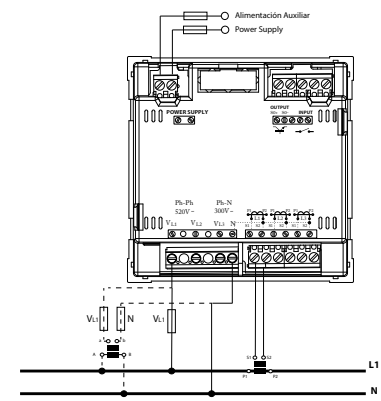
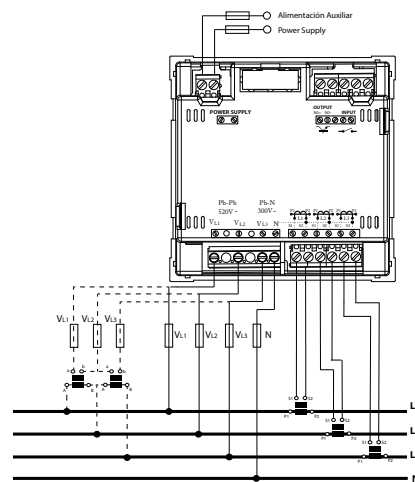
Dimensions



Connections

Three-phase + neutral connection
with or without voltage transformers

Single-phase connection
with or without voltage transformers



CVM-C10

Power analyzer for panel



Description

The **CVM-C10** is a panel mounted (96 x 96 mm) power analyzer that records energy values. Compact and versatile, with 4-quadrant measurement (consumption and generation). Suitable for Medium or Low voltage installations, in both 3 or 4-wire three-phase circuits, two-phase circuits with or without neutral, single-phase circuits or ARON connections.

Display features and interface:

- Backlit touch-screen (capacitive)
- Analogue display of instantaneous parameters (power, maximum power reached and $\cos \varphi$ or PF)
- Backlit display
- Alarm LED indicator.
- Tariff cost
- Operating hour indicator for preventive maintenance

Applications

- Record the energy consumption from three different sources: network, generator set or photovoltaic energy generation system.
- Generation of an impulse signal associated with the cost, kgCO_2 emissions or savings, according to the consumption or generation of energy.
- Selection of tariffs with digital inputs. Perfect to calculate costs in three different work shifts.
- Programs alarms on any instantaneous parameter measured or calculated. Configurable parameters: Low/High, hysteresis (%), NO/NC, connection/disconnection delay and interlocking.

Technical features

| | | |
|--|--|--|
| Power circuit | Power supply voltage | 85...265 Vac / 95...300 Vdc 20...120 Vdc (SDC model) |
| Measurement circuit | Voltage | 300 V ac Ph-N / 520 V ac Ph-Ph |
| | Frequency | 50...60 Hz |
| | Current | ITF ... /5 A or .../1 A MC .../250 mA .../333 mV |
| Accuracy class | Sampling | 64 samples/cycle |
| | V, A, Power | 0,5% |
| | Active Energy | Class 0,5S ($\geq 0,1 I_n$) acc. to IEC 62053-22 |
| | Reactive Energy | Class 1 ($\geq 0,1 I_n$) acc. to IEC 62053-24 |
| Display of harmonics, up to the | V, A | 31 st |
| Communications | Protocol | Modbus RTU / BACnet (RS-485) |
| | Speed | 9600, 19200 |
| | Bit, parity, stop | 8, n, 1 |
| Outputs | 2 digital outputs | OS Interface Configurable, up to 1000 impulses 2 NPN Transistors (Only in version 3 TS) (24 Vdc max, 50 mA, 16 imp/s, Max T_{on}/T_{off} configurable) |
| | 2 relay outputs | Max. / Min / NO/NC / Hysteresis / Interlocking 250 Vac, 6 A |
| Inputs | 2 digital inputs | Tariff selection or external alarms NPN, optocoupled |
| Build features | Enclosure | VO self-extinguishing plastic |
| | Protection Degree | Front panel: IP 51 (IP 64 with accessory) Rear: IP 31 |
| | Dimensions | 96.7 x 96.7 x 63.4 mm |
| Environmental conditions | Operating temperature | -5...+45 °C |
| | Relative humidity | 5 ... 95% |
| | Maximum altitude | 2000 m |
| Safety | CAT III 300 V according to EN 61010 Double-insulated electric shock protection, Class II | |
| Standards | BS EN 61000-6-4, BS EN-61000-6-2, IEC 61000-6-2, IEC 62053-22 (Class 0,5S), IEC 62053-24 (Class 1), IEC 61000, IEC 61000-4-3, IEC 610004-11, IEC 61000-4-4, IEC 610004-5 , Measurement according to MID, UL certification | |

CVM-C10

Power analyzer for panel

Other features:

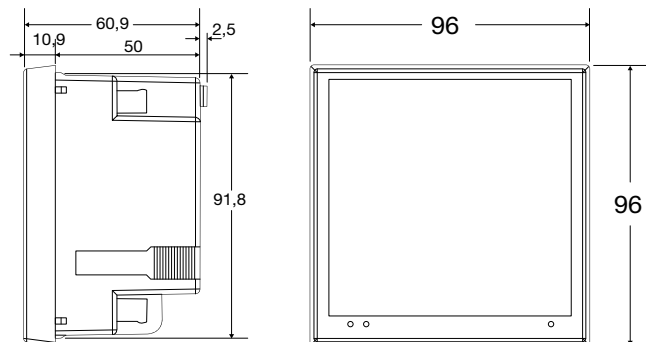
- Modbus RS-485 serial communications
- 2 transistor outputs, configurable for impulses or alarms
- 2 relay outputs, configurable for alarms
- 2 digital inputs for selecting three tariffs or detecting logical states
- Allows for tariff selection through communications
- Precision class 0.5% in voltage, current and power.
- Class 0,5S in active energy and Class 1 in reactive energy.

References

| Transistor output | Current measurement channels | Current input | Type | Code |
|---------------------|------------------------------|------------------|---------------------------|---------------|
| 2 | 3 | .../5 or .../1 A | CVM-C10-ITF-485-ICT2 | M55911 |
| 2 | 3 | .../250 mA | CVM-C10-MC-485-ICT2 | M55921 |
| - | 4 | .../5 or .../1 A | CVM-C10-ITF-IN-485-IC2 | M55942 |
| 2 | 2 | .../333 mV | CVM-C10-mV-485-ICT2 | M559210000V |
| 2 | 3 | .../5 or .../1 A | CVM-C10-SDC-ITF-485-ICT2* | M5591100F0000 |
| IP 64 sealing joint | | | IP64-C10-96 | M5ZZ5T |

* Power Supply 20...120 Vdc

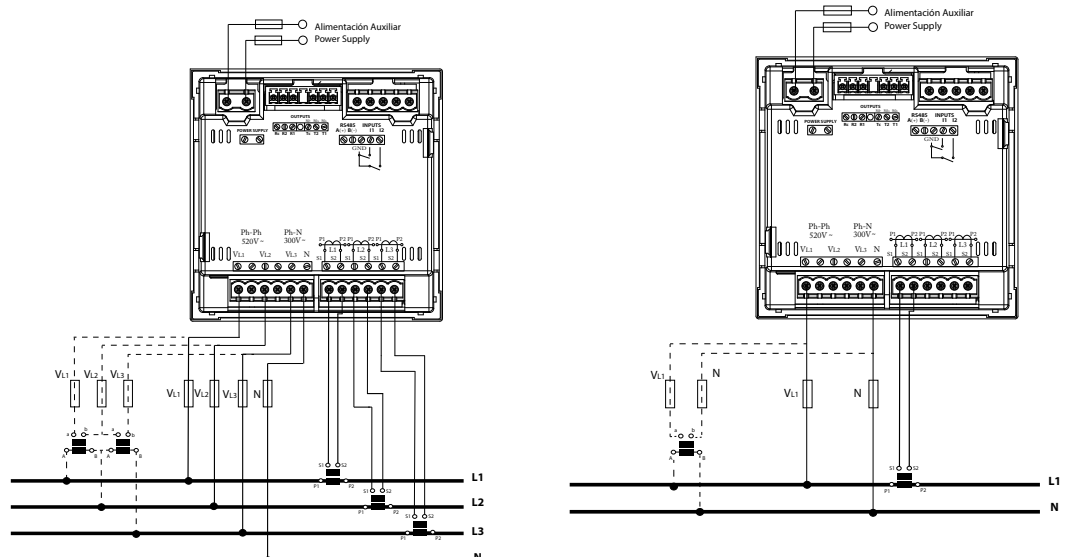
Dimensions



Connections

Three-phase + neutral connection
with or without voltage transformers

Single-phase connection
with or without voltage transformers



CVM-C10-Flex

Panel-mounted power analyser with flexible Rogowski sensors



Description

Compact and versatile power analyser, with 4-quadrant measurement (Consumption and Generation), suitable for High, Medium and Low-Voltage installations, since it can process high voltage:current transformation ratios of up to 2000 A. Measures current with flexible Rogowski sensors.

Capable of adapting to any type of electrical network topology, from single-phase lines, two-phase lines with or without neutral to three-phase lines with or without Neutral. The **CVM-C10-Flex** calculates the sensitivity of the measurement range scale automatically, according to the nominal value of the detected current, up to a full-scale of 2000 A. (Twice the full-scale value of measured current, 1000 A).

The flexible sensors feature a magnetic lock, which allows the sensors to be sealed. They are robust and can withstand frequent assembly and disassembly procedures, thanks to these magnetic lock.

Quick installation on distribution panels or switchboards of the unit, thanks to its flexible current sensors. Self-adjustment of the scale sensitivity. Does not require the current primary to be programmed. (1000 A by default, factory setting). Remote correction of errors associated with the incorrect connection of the unit to the electrical installation via remote communication systems (PowerStudio).

Display features and interface:

- Backlit keypad (capacitive)
- Analogue display for instantaneous parameters (power, maximum power reached and $\cos \varphi$ or PF)
- Backlit display
- Cost by tariff
- Operating time indicator for preventive maintenance.

The unit has the following functions:

- Recording of the energy consumption from three different sources: network, generator set or photovoltaic energy generation system.
- Selection of tariffs with digital inputs. Perfect for calculating costs in three different work shifts.

Applications

- Management Systems that require roaming measuring points.
- Distribution panels or switchboards that cannot stop the installation of a measuring unit.

CVM-C10-Flex

Panel-mounted power analyser
with flexible Rogowski sensors

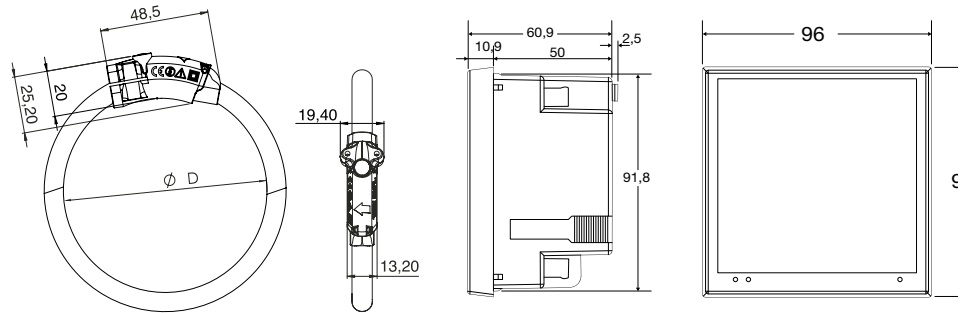
References

| Type | Code | Power supply | Communications |
|----------------------------|--------------|---|-----------------------|
| CVM-C10-FLEX-IN-485-I2 | M55963 | 85...265 V _{ac} / 95...300 V _{dc} | RS-485; Modbus/BACnet |
| CVM-C10-SDC-FLEX-IN-485-I2 | M5596300F000 | 20...120 V _{dc} | RS-485; Modbus/BACnet |

Flexible sensor references

| Type | Code | Scale | Length | Diameter D | Sensitivity | Full-scale |
|-------------|---------------|---------|--------|------------|-----------------|------------|
| FLEX-MAG70 | M818110041500 | Config. | 2 m | Ø 70 mm | 1000 A / 100 mV | 2000 A |
| FLEX-MAG120 | M818120041500 | Config. | 2 m | Ø 120 mm | 1000 A / 100 mV | 2000 A |

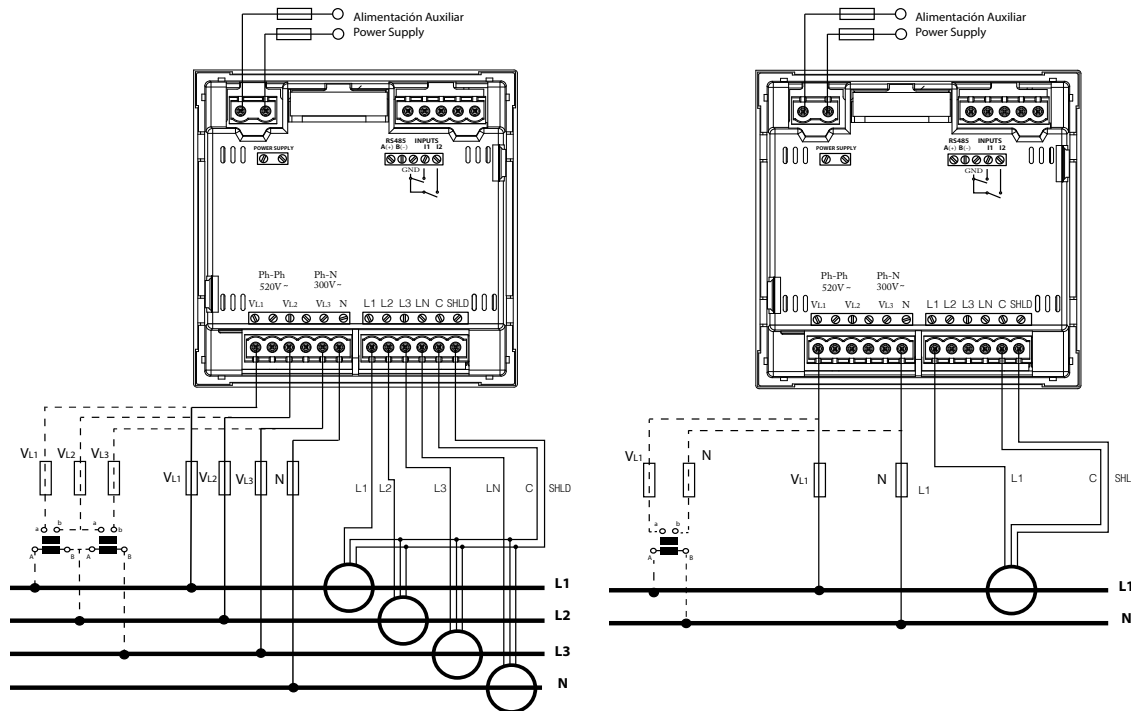
Dimensions



Connections

Three-phase connection + Neutral
with or without voltage transformers

Single-phase connection
with or without voltage transformers



CVM-B100

CVM-B150

Power analyzers for panel



Description

The **CVM-B100** and **CVM-B150** units are panel mounted three-phase power analyzers (dimensions: 96x96 and 144x144 mm, respectively). Both offer 4-quadrant measurement (consumption and generation). Suitable for Medium or Low voltage installations, in both 3 or 4-wire three-phase circuits, two-phase circuits with or without neutral, single-phase circuits or ARON connections.

The **CVM-B100** and **CVM-B150** high-performance units feature a measurement engine that allows the user to analyse many different electrical parameters, in addition to offering a large variety of optional expansion modules for the same unit.

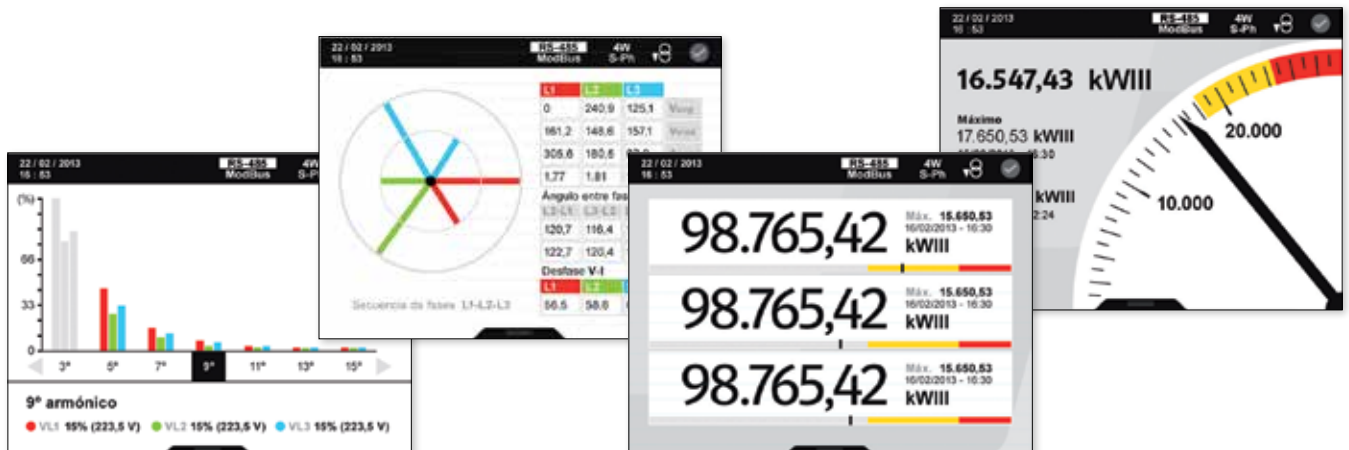
Features:

- Format: 96x96 (**CVM B100**) and 144x144 (**CVM B150**)
- High-resolution VGA colour screen
- IP 65* front panel protection
- 5 voltage inputs (3 phases + neutral + earth) 1000 V_{f-f}
- 4 Current inputs, ITF
- Class 0.2 voltage and current accuracy
- Class 0.5S energy accuracy
- Expandable unit, up to 4 modules, combining digital and analogue outputs, Modbus/TCP, MBus, LonWorks, Profibus, XML/Web
- Modular (optional addition of expansion modules)
- Touch-sensitive movement buttons
- Universal power supply source
- RS485 communications port (Modbus/RTU and BACnet protocols)
- Customisation of parameters to be displayed
- Operating hour indicator for preventive maintenance.

Other features:

- Innovative SCV interface (Slide, Choose & View) for versatile data display, enabling the customisation of the parameters displayed on the screen
- Electrical parameters: instantaneous, maximum, minimum (with date and time) and demand
- Incremental electrical parameters (energy), times, costs, emissions
- 3 Tariffs (can be selected via the digital input or RS485 communications)
- Capable of showing costs and kgCO₂ emission sources on the screen, depending on the energy consumed or generated
- 2 Relay outputs for alarms with delay, times, ON and OFF, etc.
- 2 transistor outputs for alarms or impulse generation, with all the possible configuration parameters
- 2 digital inputs, with control over the selection of the unit's tariffs or configurable for monitoring purposes, with RS-485 Modbus communications, monitoring of logical states of other electromechanical units. (RCCBs, thermal-magnetic circuit breakers, etc.)

* with sealing joint.



CVM-B100

CVM-B150

Power analyzers for panel

Applications

- Control and monitoring of all electrical parameters measured in any electric distribution panel and low and high-voltage connection points.
- 4 alarms (2 per transistor and 2 per relay), fully and independently programmable: low or high value, hysteresis, connection/disconnection delays, normally open or closed standby status and interlocking.
- Generation of impulses with transistor outputs, fully and independently configurable over any incremental parameter (energy, costs, kgCO₂, total meter or tariff hours)
- Transducer that converts analogue signals to any instantaneous parameter that the unit can measure or calculate, with built-in expansion modules with analogue outputs.
- Display of process signals, with a built-in expansion module with analogue inputs; optional reporting of these signals to SCADA systems through communication systems
- Control of electrical load or alarm signal operations by programming the transistor or relay outputs that are built-in or added through expansion modules.
- Autonomous datalogger with web server, connected to a **M-CVM-AB-Datalogger** module. Enables direct monitoring of the historical data stored in the unit via a conventional web browser.

Technical features

| | | |
|--------------------------------------|---|---|
| Power circuit | Power supply voltage | 85...265 Va.c. / 120...300 Va.c. 20...120 Vd.c. (SDC Model) |
| | AC Frequency | 50...60 Hz |
| | AC Consumption | CVM-B100 - 6...8 VA (max. 24 VA) CVM-B150 - 7...12 VA (max. 30 VA) |
| | DC consumption | CVM-B100 - 3...4 W (max. 13 W) CVM-B150 - 4...7 W (max. 12 W) |
| Voltage measurement circuit | Voltage range | 500 V _{p-n} - 866 V _{p-p} (functional up to 600 V _{p-n} / 1000 V _{p-p}) |
| | Frequency | 40...70 Hz |
| | Measurement margin | 7 %...200% of the U _n for U _n =300 Vac (p-n) |
| | Admissible overvoltage | 750 Vac |
| | Maximum consumption (limited current) | < 0.15 VA |
| Current measurement circuit | Current measurement | 4 (3 phases + 1 neutral) |
| | Input current | .../5 A or.../1 A or .../250 mA |
| | Minimum current for class | 250 mA |
| | Start-up current | 10 mA |
| | Measurement margin | 0,2...200% I _n (.../5 A) |
| | | 1...200% I _n (.../1 A) 4...200% I _n (.../250 mA) |
| | Admissible overload | 2 I _n permanent, 100 A t < 1 s |
| Consumption | max I _m 0.9 VA | |
| Maximum transformation ratios | Primary V : 500,000 | |
| | Primary A : 999,9 (10 kA) .../5 and .../1A, 63...2000 MC type | Product of Primary V x Primary A <60 MW |
| Maximum meter value (total) | If (Primary A / Secondary A) < 1,000 (2 GW) | |
| | If (Primary A / Secondary A) ≥ 1,000 (2 TW) | |
| Accuracy class | Voltage | Class 0.2 ± 1 digit |
| | Neutral voltage | Class 0.5 ± 1 digit |
| | Current | Class 0.2 ± 1 digit |
| | Neutral current | Class 1 ± 1 digit |
| | Active power | Class 0.5 ± 1 digit |
| | Reactive power | Class 1 ± 1 digit |
| | Active energy | Class 0.5 S (.../5 A) |
| | | Class 1 (.../1 A and .../250 mA) |
| | Reactive energy | Class 1 (.../5 A) |
| Class 2 (.../1 A and .../250 mA) | | |
| Display of harmonics | Voltage/Current | up to 50 |

CVM-B100

CVM-B150

Power analyzers for panel

Technical features

| | |
|---------------------------------|---|
| Connections | |
| Digital inputs | Selection of tariffs, states or external alarms |
| | Type Optoisolated potential-free contact |
| | Quantity 2 |
| | Activation current 5 mA (15 V maximum voltage of open contact) |
| | Insulation 4 kV |
| Digital outputs | Generation of impulses or alarms |
| | Type NPN transistor |
| | Quantity 2 |
| | Maximum operating voltage 48 Vdc |
| | Maximum operation current 130 mA |
| | Maximum frequency 1 kHz |
| | Pulse duration (T on / T off) 0.3 / 0.7 ms (1 ms of a complete impulse) |
| | Alarms |
| | Type Relay |
| | Quantity 2 |
| | Maximum operating power 1500 W |
| | Maximum voltage open contacts 250 Vac |
| | Maximum switching current 3 A |
| | Electrical working life (400 V / 6 A) 3 x 10 ⁴ cycles |
| | Mechanical working life 1 x 10 ⁷ cycles |
| Built-in communications | Protocols Modbus RTU / BACnet |
| | Speed 9600...115200 |
| | bits, parity, stop 8, n, 1 (configurable) |
| Environmental conditions | Working temperature -10...+50 °C |
| | Relative humidity 5...95% |
| | Altitude 2000 m |
| Build features | Format Assembly on 96x96mm or 144x144 panel |
| | Depth 110 mm w/o expansion modules (both models) |
| | Front panel IP Protection IP 40 (IP 65 with accessory) |
| | Rear panel IP protection IP 30 |
| Safety | Designed for CAT III 300/520 Vac installations, in accordance with EN 61010 Double-insulated electric shock protection, class II |
| Standards | IEC 62053-22, ANSI (Class 0.5S), IEC 62053-24 (Class 1) / ANSI C12.1 (Class 2), IEC 61010, IEC 61000, UNE-EN 55022, Measurement in accordance with MID, UL certification, IEC 61000-4-2, IEC 61000-4-3, IEC 61000-4-11, IEC 61000-4-4, IEC 61000-4-5 |

References

96 x 96

| Current measuring secondaries | Type | Code |
|-------------------------------|----------------------------|---------------|
| .../5 or .../1 A or ...250 mA | CVM-B100-ITF-RS485-ICT2 | M56011 |
| .../5 or .../1 A or ...250 mA | CVM-B100-SDC-ITF-485-ICT2* | M5601100F0000 |

* Power Supply 20...120 Vdc

144 x 144

| Current measuring secondaries | Type | Code |
|-------------------------------|----------------------------|---------------|
| .../5 or .../1 A or ...250 mA | CVM-B150-ITF-RS485-ICT2 | M56111 |
| .../5 or .../1 A or ...250 mA | CVM-B150-SDC-ITF-485-ICT2* | M5651100F0000 |

* Power Supply 20...120 Vdc

CVM-B100

CVM-B150

Power analyzers for panel

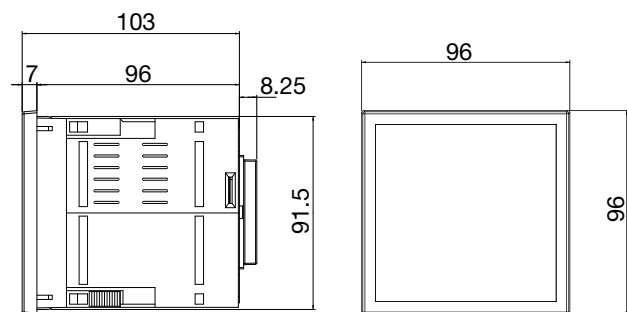
Expansion modules for CVM B150 and CVM B100

| Outputs | Digital Inp. | Analogue Inp. | Communications | Protocol | Type | Code |
|----------------|--------------|----------------|----------------------------|---|---------------------------|--------|
| 8 Trans.(*) | 8 | - | - | - | M-CVM-AB-8I-8OTR | M56E01 |
| 8 relay | 8 | - | - | - | M-CVM-AB-8I-8OR | M56E02 |
| 8 (0/4...20mA) | - | 4 (0/4...20mA) | - | - | M-CVM-AB-4AI-8AO | M56E03 |
| - | - | - | Ethernet (Bridge RS-485) | Modbus/TCP | M-CVM-AB-Modbus-TCPBridge | M56E05 |
| - | - | - | Ethernet (Bridge Ethernet) | Modbus/TCP | M-CVM-AB-Modbus-Switch | M56E0A |
| - | - | - | Ethernet | Web/XML/PowerStudio | M-CVM-AB-Datalogger | M56E06 |
| - | - | - | Mbus | Mbus | M-CVM-AB-MBUS | M56E07 |
| - | - | - | LonWorks | LonTalk ISO/IEC 14908 ANSI/EIA 7091 | M-CVM-AB-LonWorks | M56E08 |
| - | - | - | - | Profibus/DP | M-CVM-AB-Profibus | M56E09 |

| Description | Type | Code |
|--|-------------|--------|
| IP 65 sealing joint for CVM-AB (96x96) | IP65-AB-96 | M5ZZ5U |
| IP 65 sealing joint for CVM-AB (144x144) | IP65-AB-144 | M5ZZ5V |

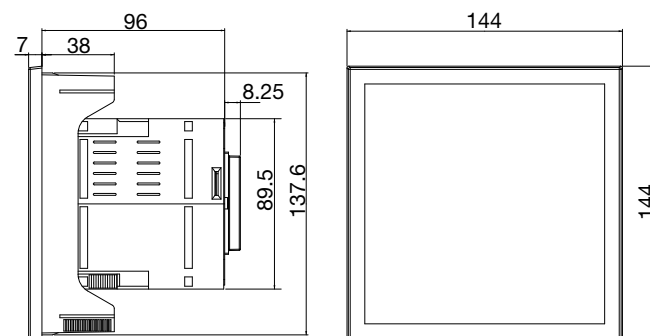
Dimensions

CVM-B100



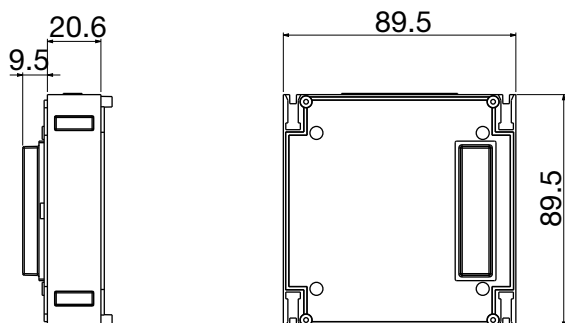
Window level: 92x92 mm

CVM-B150



Window level: 138x138 mm

CVM-B Module



Note: Refer to the product manual for other options

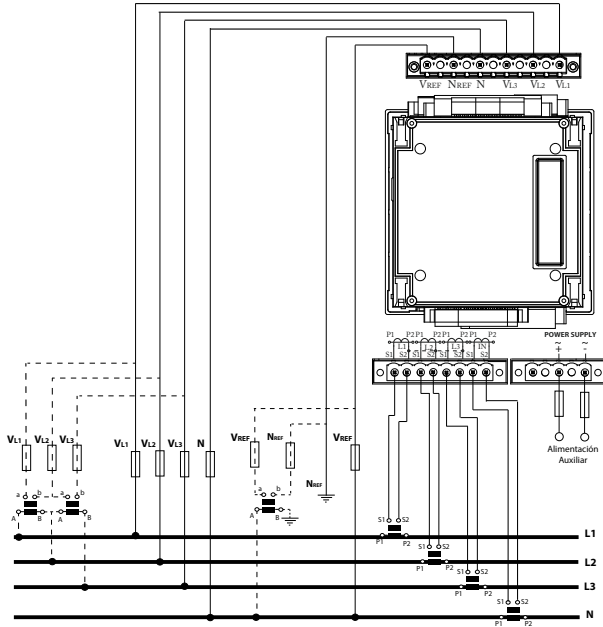
CVM-B100

CVM-B150

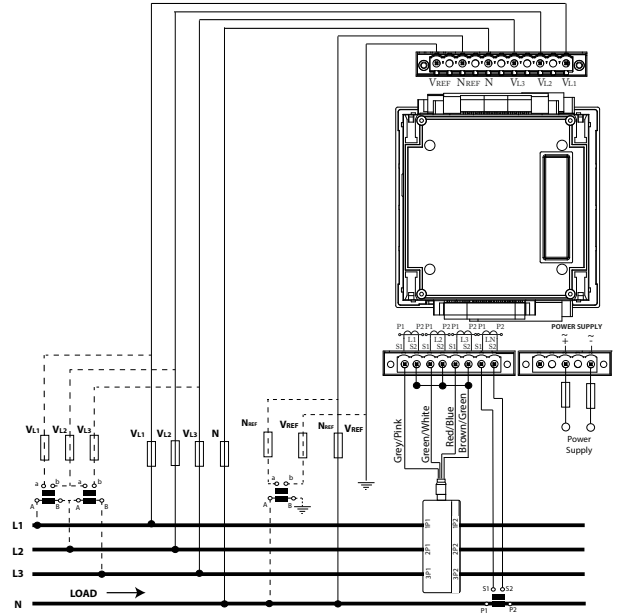
Power analyzers for panel

Connections

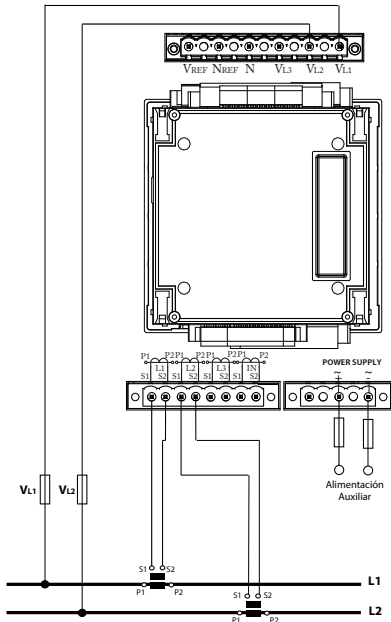
Three-phase measurement, with or without voltage transformer and current transformers



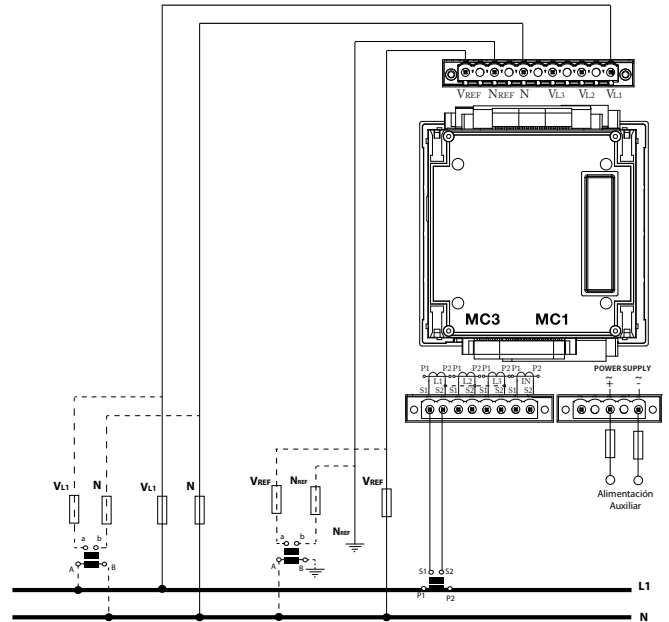
Three-phase measurement, with or without voltage transformer and MC3 type transformers (1250 mA) + MC1 for neutral current



Direct phase-phase measurement with current transformers



Measurement in single-phase system with or without voltage transformer



Note: Refer to the product manual for other options

CVM-A1500

Power analyzer for panel with power quality measurement parameters



Description

CVM-A1500 is a panel mounted power quality analyzer with EMS (Energy Management Software) integrated. Its internal Web Server (html5) allows any user to have full installation control by using any web browser.

Designed to be installed in the most relevant or critical part of electric installations since it registers and monitors a wide range of variables (almost one year of data with RMS, maximum and minimum values). The device also registers power quality events such as swells, dips, interruptions (every half cycle) and transients (according to **IEC 61000-4-30** Class A). Any event will be immediately captured with the voltage and current waveform.

This model adds the measurement of power quality variables (defined in the standard **EN 50160**) such as flicker, unbalance (Kd) and asymmetry (Ka) coefficients or voltage and current harmonics decomposition up to 63th. In addition it is possible to monitor in real time the instantaneous waveforms of voltage and current through its oscilloscope function.

As an added value, **CVM-A1500** displays the number of events and transients on each affected phase with the level reached, duration and its associated waveform. In addition, those events are directly displayed in CBEMA, ITIC y SEMI-F47 graphs.

The smart design of the **CVM-A1500** allows users to customize their own screens in order to access to the information faster and easy. Remark that the device allows the connection through PowerStudio software to save and store, in a redundant way, all the information in a server or PC avoiding memory limits.

- Dimensions:144 x 144 mm
- Energy Management Software (EMS) included with historical data register
- Register of power quality events, waveforms and instantaneous parameters.
- Expandable up to 3 modules (inputs/outputs and communications)
- VGA color display with high definition
- IP 65 with airtight seal
- 5 voltage channels + 4 ITF current channels
- Active energy class 0,2S (**IEC 62053-22**)
- Universal switching power supply AC/DC or DC
- Ethernet communications (Web Server) + RS-485 (ModBus RTU or BACnet protocol)
- 5 user customizable screens
- 3 tariffs (selectable by digital input or by communications)
- Cost calculation(any currency) and emissions of kgCO₂
- 2 relay outputs for alarms + 2 transistor outputs for alarms or pulses + 2 digital inputs to select tariff, to control logical states or pulse centralizer from any external meter.

CVM-A1500

Power analyzers for panel with power quality measurement parameters



Applications

- Control, monitoring and logging of the power quality in High and Low Voltage distribution panels. Performed directly or remotely thanks to its WEB server. Integration in SCADA systems through XML requests.
- 4 alarms (2 per transistor and 2 per relay), fully and independently programmable according to a low or high value, hysteresis, connection/disconnection delays, normally open or closed standby status and interlocking.
- Generation of impulses with transistor outputs, fully and independently configurable over any incremental parameter (energy, costs, kgCO₂, total meter or tariff hours).
- Transducer converting analogue signals to any instantaneous parameter measured or calculated by the unit, with built-in expansion modules with analogue outputs.
- Display of process signals featuring a built-in expansion module with analogue inputs, with optional reporting of these signals to SCADA systems through communications systems.
- Control of electrical load or alarm signal operations by programming the transistor or relay outputs that are built-in or added through expansion modules.
- Datalogger integrated with Web server and XML (log of historical data).

Technical features

| | | | | | |
|---|------------------------------------|--|--|---|--|
| Power circuit | Power supply voltage | 85...265 Vac / 120...300 Vdc 20...120 Vdc (SDC model) | | | |
| | AC frequency | 50...60 Hz | | | |
| | AC consumption | max 29,4 V-A | | | |
| | DC consumption | max 11,9 W max 13,8 W (SDC model) | | | |
| | Voltage measurement circuit | Voltage range | 500 V _{p-n} - 866 V _{p-p} (functional up to 600 V _{p-n} / 1000 V _{p-p}) | | |
| Frequency | | 40...70 Hz | | | |
| Measurement margin | | 7...200% of the U _n for U _n = 300 Vac. (p-n) | | | |
| Admissible overvoltage | | 750 Vac | | | |
| Maximum power consumption (limited current) | | < 0.15 VA | | | |
| Current measurement circuit | | Current measurement | 4 (3 phases + 1 neutral) | | |
| | Input current | .../5 A or .../1 A or .../250 mA | | | |
| | Minimum current for class | 250 mA | | | |
| | Start-up current | 10 mA | | | |
| | Measurement margin | 0.2...200% I _n (.../5 A) 1...200% I _n (.../1 A) 4...200% I _n (.../250 mA) | | | |
| | Admissible overload | 2 I _n A permanent, 100 A t < 1 s | | | |
| | Consumption | < 0.9 VA | | | |
| Maximum transformation ratios | Primary V: | 500,000 (500 kV) | | | |
| | Primary A: | 999.9 to 1.0 (10 kA) in .../5 A and .../1 A, 63...2000 A in MC | | | |
| | Prim V x Prim A | < 60 MW | | | |
| Maximum meter value (total) | Yes (Primary A / Secondary A) | < 1000 (2 GW) | | | |
| | Yes (Primary A / Secondary A) | ≥ 1000 (2 TW) | | | |
| Accuracy class | | .../5 A | .../1 A | .../250 mA | |
| | Voltage | 0,1 ±1 digit (20...600 V _{a.c.}) | 0,1 ±1 digit (20...600 V _{a.c.}) | 0,1 ±1 digit (20...600 V _{a.c.}) | |
| | Neutral voltage | 0,5 ±1 digit (55...500 V _{a.c.}) | 0,5 ±1 digit (55...500 V _{a.c.}) | 0,5 ±1 digit (55...500 V _{a.c.}) | |
| | Current | 0,1 ±1 digit (0,05...8 A) | 0,1 ±1 digit (0,01...1,2 A) | 0,1 ±1 digit (0,01...0,3 A) | |
| | Neutral current | 1 ±1 digit (0,1...6 A) | 1 ±1 digit (0,05...1,2 A) | 1 ±1 digit (calculated) | |
| | Active power | 0,2 ±2 digits | 0,2 ±2 digits | 0,5 ±2 digits | |
| | Reactive power | 1 ±1 digit (0,05...6 A) | 1 ±1 digit (0,01...1,2 A) | 1 ±1 digit (0,01...0,3 A) | |
| | Active energy | 0,2S | 0,5S | 0,5S | |
| | Reactive energy | 1 | 2 | 2 | |
| | Display of harmonics | Voltage / Current | to 63 rd | | |

CVM-A1500

Power analyzers for panel with power quality measurement parameters



Technical features

| | |
|---------------------------------|--|
| Connections | |
| Digital inputs | Selection of tariffs, states or external alarms Type: Optoisolated potential-free contact Quantity: 2 Activation current: 5 mA (15 V maximum voltage of open contact) Insulation: 4 kV |
| Digital outputs | Generation of impulses or alarms Type: NPN transistor Quantity: 2 Maximum operation voltage: 48 Vdc Maximum switching current: 130 mA Maximum frequency: 1 kHz Pulse duration (T_{on} / T_{off}): 0.3 / 0.7 ms (1 ms of a complete impulse) |
| Alarms | Type: Relay Quantity: 2 Maximum operating power: 1500 W Maximum voltage, open contacts: 250 Vac Maximum switching current: 6 A Electrical working life (400 V / 6 A): 3×10^4 cycles Mechanical working life: 1×10^7 cycles |
| Built-in communications | Protocols: Modbus RTU / BACnet Speed: 9600...115200 bits, parity, stop: 8, n, 1 (configurable) |
| Environmental conditions | Working temperature: -10...+50°C Relative humidity: 5...95% Altitude: 2000 m |
| Build features | Format: Assembly on 144x144 mm panel Depth: 1 module Front panel IP protection: IP 40 (IP 65 with sealing gasket) Rear panel IP protection: IP 30 |
| Safety | Designed for CAT III 300/520 Va.c. installations, in accordance with EN 61010 Double-insulated electric shock protection, class II |
| Standards | IEC 62053-22, ANSI (class 0.2S), IEC 62053-24 (Class 1) / ANSI C12.1 (Class 2), class A acc. to IEC 61000-4-30, IEC 61010, IEC 61000, UNE-EN 55022 Measurement acc. to MID, UL certification IEC 61000-4-2, IEC 61000-4-3, IEC 61000-4-11, IEC 61000-4-4, IEC 61000-4-5 |

References

144 x 144

| Current measuring secondaries | Type | Code |
|-------------------------------|------------------------------------|----------------------|
| .../5 or .../1 A or ...250 mA | CVM-A1500-ITF-RS485-ICT2 | M56311 |
| .../5 or .../1 A or ...250 mA | CVM-A1500-SDC-ITF-485-ICT2* | M5631100F0000 |

* Power supply 20...120 Vdc



CVM-A1500

Power analyzers for panel with power quality measurement parameters

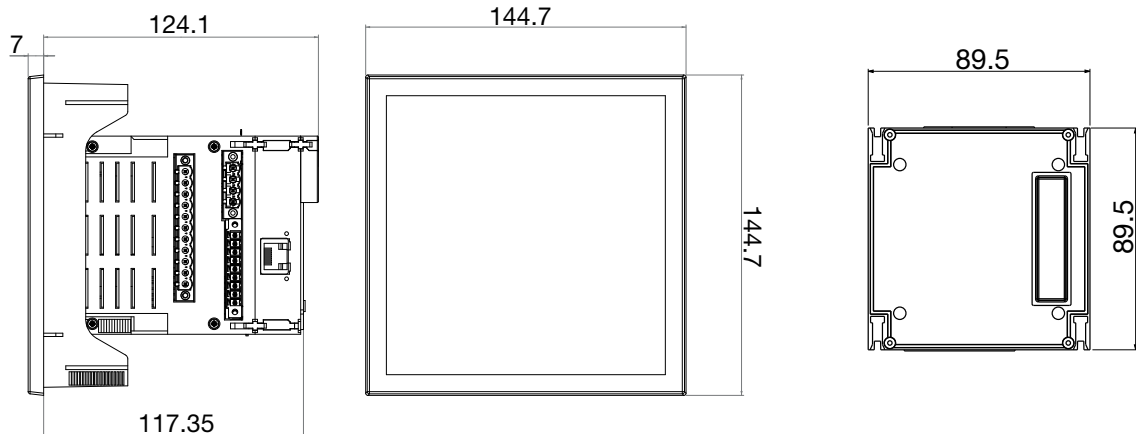
Expandable modules for CVM-A1500

| Outputs | Digital Inp. | Analogue Inp. | Communication | Protocol | Type | Code |
|-----------------|--------------|-----------------|----------------------------|---|---------------------------|--------|
| 8 Trans.(*) | 8 | - | - | - | M-CVM-AB-8I-8OTR | M56E01 |
| 8 relay | 8 | - | - | - | M-CVM-AB-8I-8OR | M56E02 |
| 8 (0/4...20 mA) | - | 4 (0/4...20 mA) | - | - | M-CVM-AB-4AI-8AO | M56E03 |
| - | - | - | Ethernet (RS-485 Bridge) | Modbus / TCP | M-CVM-AB-Modbus-TCPBridge | M56E05 |
| - | - | - | Ethernet (Ethernet Bridge) | Modbus / TCP | M-CVM-AB-Modbus-Switch | M56E0A |
| - | - | - | Mbus | Mbus | M-CVM-AB-MBUS | M56E07 |
| - | - | - | LonWorks | LonTalk ISO/IEC 14908 ANSI/EIA 7091 | M-CVM-AB-LonWorks | M56E08 |
| - | - | - | - | Profibus/DP | M-CVM-AB-Profibus | M56E09 |

| Description | Type | Code |
|---|-------------|--------|
| IP 65 sealing gasket for CVM-AB (144x144) | IP65-AB-144 | M5ZZ5V |

Dimensions

CVM-A1500



Window level: 138x138 mm

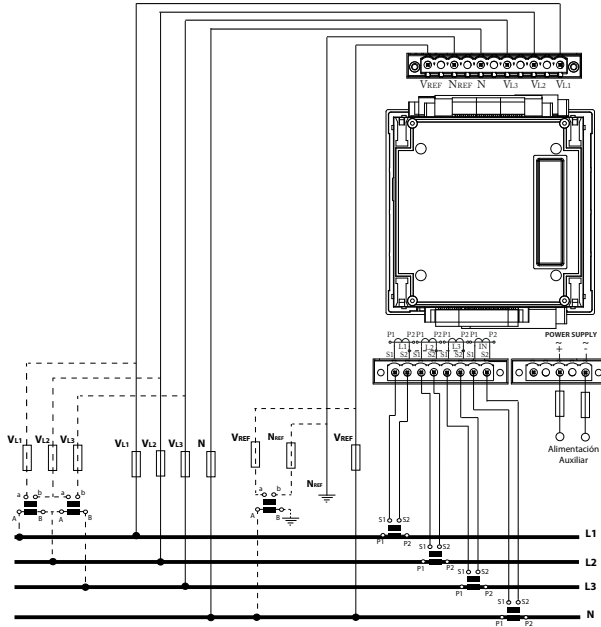
Note: Refer to the product manual for other options

CVM-A1500

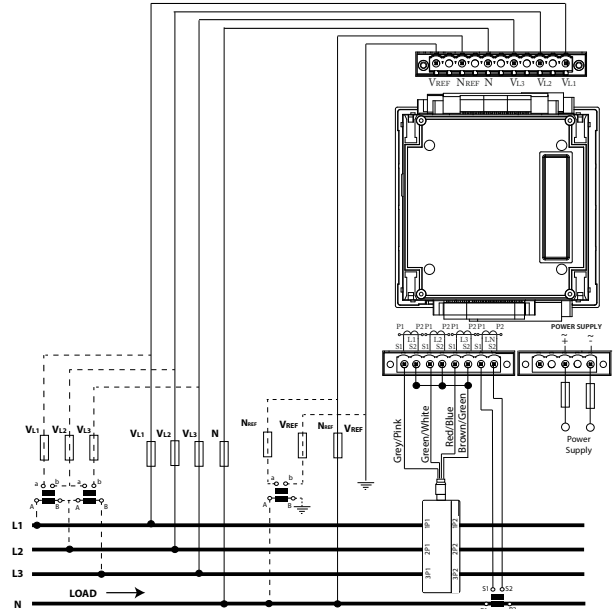
Power analyzers for panel with power quality measurement parameters

Connections

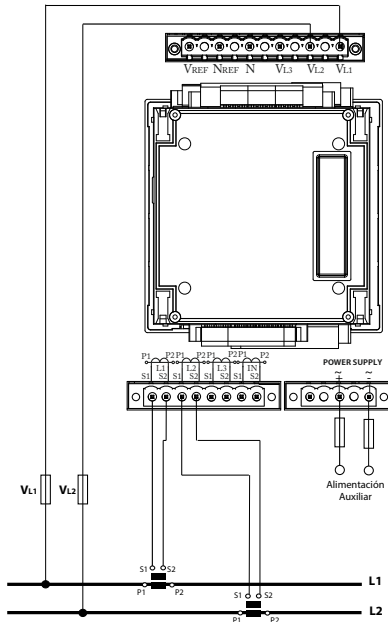
Three-phase measuring with or without voltage transformer and current transformers.



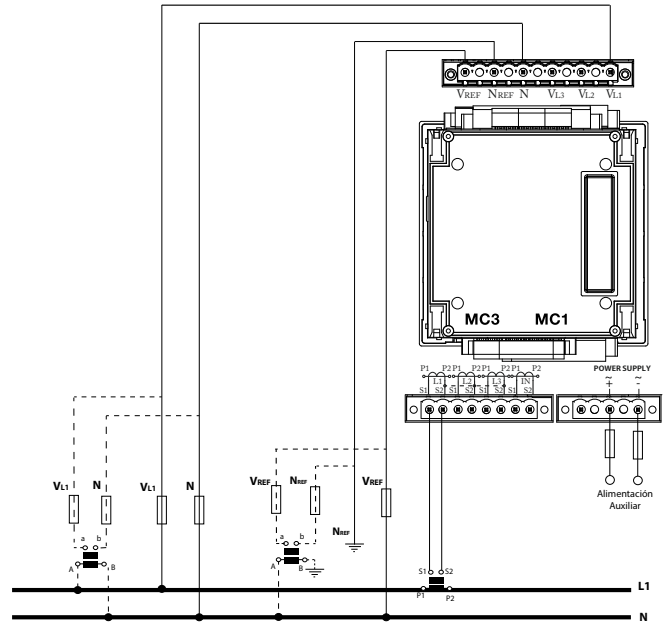
Three-phase measuring with or without voltage transformer and MC3 (250 mA) + MC1 type transformers for neutral current.



Direct phase-phase measurement with current transformers






Measurement in single-phase system with or without voltage transformer



Note: Refer to the product manual for other options

**Comparison table
Assembly on DIN Rail**

| | |  CVM 1D |  CVM NET |  CVM MINI | |
|-----------------------------|------------------------------------|--|---|--|---|
| | | CVM 1D-C CVM 1D-RS485-C (*1) | CVM NET-ITF-RS485-C2 | CVM NET-MC-ITF-RS485-C2 | CVM MINI |
| Power circuit | Power supply voltage | 88-276 V a.c. | 230 V a.c. 85...265 V a.c. / 95...300 V d.c. (Plus version) | 230 V a.c. 85...265 V a.c. / 95...300 V d.c. (Plus version) | 230 V a.c. 85...265 V a.c. / 95...300 V d.c. (Plus version) |
| | Frequency | 50/60 Hz | 50..60 Hz | 50..60 Hz | 50..60 Hz |
| | Consumption | <2 VA | <3 VA | <3 VA | <3 VA |
| | Installation category | CAT III (300V) | CAT III (300V) | CAT III (300V) | CAT III (300V) |
| Voltage measurement circuit | Voltage | 110...230 V a.c. | 300 V a.c. (ph-n) 520 V a.c. (ph-ph) | 300 V a.c. (ph-n) 520 V a.c. (ph-ph) | 300 V a.c. (ph-n) 520 V a.c. (ph-ph) |
| | Voltage measurement margin | 80...120% (U _n) | 4...100% (U _n) | 4...100% (U _n) | 4...100% (U _n) |
| | Frequency measurement margin | 50/60 Hz | 45...65 Hz | 45...65 Hz | 45...65 Hz |
| Current measurement circuit | Nominal current | 5 A | .../5A | .../250 mA (MC) | .../5A δ .../1A |
| | Maximum current | 32 A | 1.2 I _n | 1.2 I _n | 1.2 I _n |
| | Current measurement margin | 0.5...120% I _n | 0.2...120% I _n | 0.2...120% I _n | 2...120% I _n |
| Sampling | Samples/Cycle | 16 | 32 | 32 | 32 |
| Accuracy | Voltage | 0.5% + 1 digit | 0.5% + 1 digit | 0.5% + 1 digit | 0.5% + 1 digit |
| | Current | 0.5% + 1 digit | 0.5% + 1 digit | 0.5% + 1 digit | 0.5% + 1 digit |
| | Active power | 1% + 1 digit | 1% + 1 digit | 1% + 1 digit | 1% + 2 digits |
| | Reactive power | 1% + 1 digit | 1% + 1 digit | 1% + 1 digit | 1% + 2 digits |
| | Active power | 1% (Class 1) | 1% (Class 1) | 1% (Class 1) | 1% (Class 1) |
| | Reactive power | 2% (Class 2) | 1% (Class 1) | 1% (Class 1) | 1% (Class 1) |
| Digital transistor outputs | Quantity | 1 | 2 | 2 | - |
| | Maximum voltage | 42 V d.c. | 24 V d.c. | 24 V d.c. | - |
| | Maximum current | 50 mA | 50 mA | 50 mA | - |
| | Weight | Configurable | Configurable | Configurable | - |
| Parameters | V. A. W. Wh. var. cos φ | • | • | • | • |
| | Quadrants | 4 | 4 | 4 | 4 |
| | THD | - | • | • | • |
| | Harmonics | - | - | - | - |
| | Phase parameters | • | • | • | • |
| | Maximum demand | • | • | • | • |
| | Tariffs | - | 1 | 1 | 1 |
| | Single phase measurement | • | • | • | • |
| Three phase measurement | - | • | • | • | |
| Frontal panel | Display | LCD 6 digits | - | - | Backlit LCD |
| | Keyboard | Button | Communications | Communications | Silicone |
| Communications | RS-485 | •(*1) | • | • | - |
| | TCP/IP | - | - | - | - |
| Protocols | ModBus/RTU | •(*1) | • | • | - |
| | ModBus/TCP | - | - | - | - |
| | BacNet | - | - | - | - |
| | LonWorks | - | - | - | - |
| Standards | Designed according to UL | - | - | - | • |
| Environmental features | Working temperature | -5°C ... +45°C | -10°C ... +50°C | -10°C ... +50°C | -10°C ... +50°C |
| | Relative humidity (non-condensing) | 5 ... 95% | 5 ... 95% | 5 ... 95% | 5 ... 95% |
| | Protection degree | IP20- Frontal: IP31 | IP31- Frontal: IP51 | IP31- Frontal: IP51 | IP31- Frontal: IP51 |
| Mechanical features | Dimensions | 85.5 x 64.2 x 18 mm | 85 x 52 x 70 mm | 85 x 52 x 70 mm | 85 x 52 x 70 mm |
| | Format | 1 module | 3 modules | 3 modules | 3 modules |
| | Weight (Kg) | 0.150 | 0.210 | 0.210 | 0.210 |

| CVM MINI-ITF-C2 | CVM MINI-MC-ITF-C2 | CVM MINI-ITF-RS485-C2 (*1) CVM MINI-ITF-HAR-RS485-C2 (*2) CVM MINI-ITF-ETHERNET-C2 (*3) CVM MINI-ITF-BACnet-C2 (*4) CVM MINI-ITF-LonWorks-C2 (*5) | CVM MINI-MC-ITF-RS485-C2 (*1) CVM MINI-MC-BACnet-C2 (*2) CVM MINI-MC-Ethernet-C2 (*3) | CVM NET4+-MC-ITF-RS485-C4 |
|---|---|---|---|---|
| 230 V a.c. 85...265 V a.c. / 95...300 V d.c. (Plus version) | 230 V a.c. 85...265 V a.c. / 95...300 V d.c. (Plus version) | 230 V a.c. 85...265 V a.c. / 95...300 V d.c. (Plus version) | 230 V a.c. 85...265 V a.c. / 95...300 V d.c. (Plus version) | 85...265 V a.c. / 95...300 V d.c. |
| 50...60 Hz | 50...60 Hz | 50...60 Hz | 50...60 Hz | 50...60 Hz |
| <3 VA | <3 VA | <3 VA | <3 VA | 2.9...6 VA / 3...6 W |
| CAT III (300V) | CAT III (300V) | CAT III (300V) | CAT III (300V) | CAT III (300V) |
| 300 V a.c. (ph-n) 520 V a.c. (ph-ph) | 300 V a.c. (ph-n) 520 V a.c. (ph-ph) | 300 V a.c. (ph-n) 520 V a.c. (ph-ph) | 300 V a.c. (ph-n) 520 V a.c. (ph-ph) | 300 V a.c. (ph-n) 520 V a.c. (ph-ph) |
| 4...100% (U _n) | 4...100% (U _n) | 4...100% (U _n) | 4...100% (U _n) | 2...100% (U _n) |
| 45...65 Hz | 45...65 Hz | 45...65 Hz | 45...65 Hz | 45...65 Hz |
| .../5A ó .../1A | .../250 mA (MC) | .../5A ó .../1A | .../250 mA (MC) | .../250 mA (MC) |
| 1.2 I _n | 1.2 I _n | 1.2 I _n | 1.2 I _n | 1.3 I _n |
| 0.2...120% I _n | 0.2...120% I _n | 0.2...120% I _n | 0.2...120% I _n | 1.2...105% I _n |
| 32 | 32 | 32 | 32 | 32 |
| 0.5% + 1 digit | 0.5% + 1 digit | 0.5% + 1 digit | 0.5% + 1 digit | 0.5% + 1 digit |
| 0.5% + 1 digit | 0.5% + 1 digit | 0.5% + 1 digit | 0.5% + 1 digit | 0.5% + 1 digit |
| 1% + 2 digits | 1% + 2 digits | 1% + 2 digits | 1% + 2 digits | 1% + 1 digit |
| 1% + 2 digits | 1% + 2 digits | 1% + 2 digits | 1% + 2 digits | 1% + 1 digit |
| 1% (Class 1) | 1% (Class 1) | 1% (Class 1) | 1% (Class 1) | 1% (Class 1) |
| 1% (Class 1) | 1% (Class 1) | 1% (Class 1) | 1% (Class 1) | 1% (Class 1) |
| 2 | 2 | 2 | 2 | 4 |
| 24 V d.c. | 24 V d.c. | 24 V d.c. | 24 V d.c. | 24 V d.c. |
| 50 mA | 50 mA | 50 mA | 50 mA | 50 mA |
| Configurable | Configurable | Configurable | Configurable | Configurable |
| • | • | • | • | • |
| 4 | 4 | 4 | 4 | 4 |
| • | • | • | • | • |
| - | - | 15 (*2) | - | 15 |
| • | • | • | • | • |
| • | • | • | • | • |
| 1 | 1 | 1 | 1 | 1 |
| • | • | • | • | - |
| • | • | • | • | • |
| Backlit LCD | Backlit LCD | Backlit LCD | Backlit LCD | - |
| Silicone | Silicone | Silicone | Silicone | Communications |
| - | - | (*1), (*2) | (*1) | • |
| - | - | (*3) | (*3) | - |
| - | - | (*1), (*2) | (*1) | • |
| - | - | (*3) | (*3) | - |
| - | - | (*4) | (*2) | - |
| - | - | (*5) | - | - |
| • | • | • | • | - |
| -10°C ... +50°C | -10°C ... +50°C | -10°C ... +50°C | -10°C ... +50°C | -10°C ... +50°C |
| 5 ... 95% | 5 ... 95% | 5 ... 95% | 5 ... 95% | 5 ... 95% |
| IP31- Frontal: IP51 | IP31- Frontal: IP51 | IP31- Frontal: IP51 | IP31- Frontal: IP51 | IP31- Frontal: IP51 |
| 85 x 52 x 70 mm | 85 x 52 x 70 mm | 85 x 52 x 70 mm | 85 x 52 x 70 mm | 105 x 70 x 90 mm |
| 3 modules | 3 modules | 3 modules | 3 modules | 6 modules |
| 0.210 | 0.210 | 0.210 | 0.210 | 0.250 |

CVM-1D

Single-phase power analyzer, DIN rail



Description

CVM-1D is a power analyzer for single-phase circuits up to 32 A. It features an LCD display with a rotating screen system, showing a total of 24 instantaneous, maximum and minimum, electrical variables. It has been designed in an enclosure with only 1 DIN module (18 mm). The compact size of the analyzer allows it to be installed on any electric panel. The unit has the Modbus/RTU (RS-485) protocol and is compatible with the **PowerStudio** energy management software.

Its main features are:

- Sealable
- Six-digit LCD display
- RS-485 Modbus/RTU communication (depending on model)
- Programmable alarm or impulse output
- Measurement in four quadrants

Applications

- Student residences / Hotels
- Marinas
- Shopping centres
- Buildings with rented office space
- Campgrounds
- Domestic and industrial lines
- Single-phase lines in general

Technical features

| | | |
|-----------------------------------|--|--|
| Power circuit | Single-phase power supply | 88...276 Vac |
| | Power supply frequency | 50 / 60 Hz |
| | Power supply use | 2 V-A |
| Measurement circuit | Phase – Neutral rated voltage | 110...230 Vac ($\pm 20\%$) |
| | Frequency | 50 / 60 Hz |
| | Nominal current | 5 A |
| | Minimum current | 250 mA |
| | Maximum current | 32 A |
| Accuracy class | Voltage, Current | 0.5% + 1 digit |
| | Active power, Reactive power | 1% + 1 digit |
| | Active Energy | Class 1 (IEC 62053-21) |
| | Reactive Energy | Class 2 (IEC 62053-23) |
| Output transistor features | Type | Optoisolated transistor (collector open) NPN |
| | Maximum operating voltage | 42 Vdc |
| | Maximum operating current | 50 mA |
| | Maximum frequency | 1000 imp/kWh |
| | Impulse duration | 4...200 ms (configurable) |
| | Insulation | 3.7 kV _{RMS} / 1 min |
| | Port | RS-485 (depending on model) |
| Communications | Protocol | Modbus / RTU (depending on model) |
| | Measurement module | Assembly on DIN 46277 rail (EN 50022) |
| Build features | Number of modules | 1 |
| | Operating temperature | -5...+45 °C |
| | Protection degree | IP 20 / Frontal IP 31 |
| | Humidity (non-condensing) | 5 ... 95% (non-condensing) |
| Environmental conditions | Maximum altitude | 2000 m |
| | Safety | EN 61010 Double-insulated electric shock protection, class II |
| Standards | IEC 664, VDE 0110, UL94-V0, EC 801, IEC 348, IEC 571-1, Class 2 EN 62053-23 in Reactive Energy, EN 61010, EN 61000-4-3, EN 61000-4-4, EN 61000-6-4, EN 55022 | |

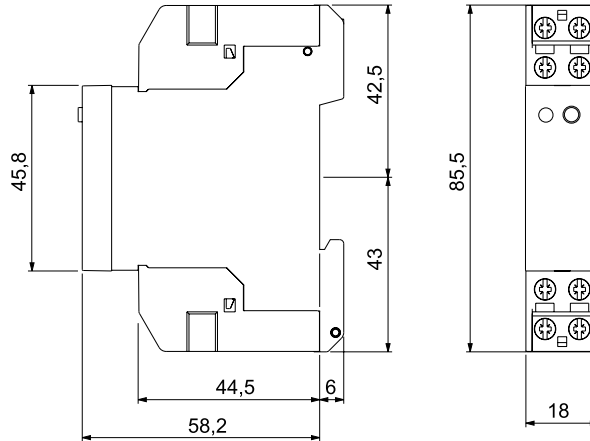
CVM-1D

Single-phase power analyzer, DIN rail

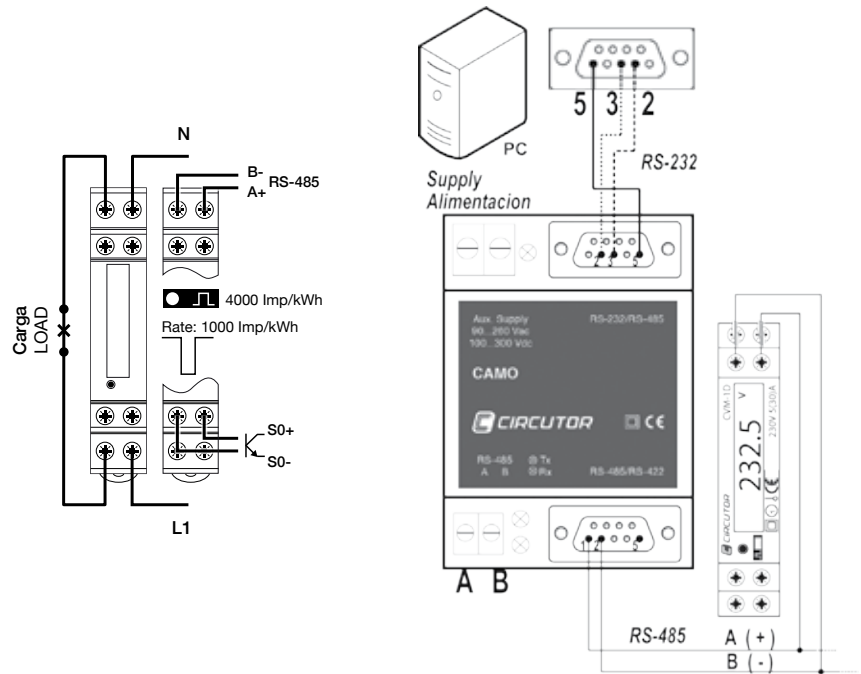
References

| Type | Code | Nominal current | Protocol | Communication |
|----------------|--------|-----------------|------------|---------------|
| CVM 1D-C | M55510 | 250 mA...32 A | - | - |
| CVM 1D-RS485-C | M55511 | 250 mA...32 A | Modbus/RTU | RS-485 |

Dimensions



Connections



CVM NET

Three-phase power analyzer, assembly on DIN rail - without display



Description

CVM NET is a Power Analyzer for measuring balanced or unbalanced single and three-phase networks. It has been specifically designed for measuring up to 230 electrical parameters and for transmitting this data through the RS-485 communication bus with the Modbus/RTU protocol to the supervision SCADA.

Its main features are:

- DIN rail format of only 3 modules
- Mounted on 72 x 72 mm panel, with adapter front panel (M5ZZF1)
- Measures the current with ... / 5 A and .../250 mA external transformers (**MC** model), .../333 mV
- Possibility of measuring Medium and Low Voltage networks
- RS-485 communication (Modbus RTU)
- Compatible with **PowerStudio / PSS / PSSDeluxe software**
- 2 programmable digital outputs
- Universal power supply (optional)
- Sealable

Applications

- Control application on switchboards and low and medium voltage connection points, where an analyzer must be installed on a DIN rail due to space restrictions.
- Alarm control. Maximum value, minimum value and programmable delay.
- Control of active or reactive energy using the impulse output
- Instantaneous data capture, maximum and minimum values of the electrical parameters measured.

Technical features

| | | |
|---------------------------------|---|---|
| Power circuit | Rated voltage | 230 Vac (-15...+10 %) 85...265 Vac / 95...300 Vdc optional |
| | Power supply frequency | 50...60 Hz |
| | Maximum power consumption | 3 VA |
| Measurement circuit | Rated voltage | 300 Vac Ph-N / 520 Vac Ph-Ph |
| | Frequency | 45...65 Hz |
| | Nominal current | .../5 A or .../250 mA, .../333 mV |
| | Permanent overload | 1.2 I_n |
| Accuracy class | Voltage, Current | 0.5% ± 1 digit |
| | Active power, Reactive power | 1% ± 1 digit |
| | Active energy Reactive energy | 1% (Class 1) |
| Communications | Protocol | RS-485 |
| | Communications protocol | Modbus / RTU |
| | Speed | 1200 / 2400 / 4800 / 9600 / 19200 bps |
| | Length | 8 |
| | Parity | No parity / even / odd |
| | Bits of parity | 1 / 2 |
| Output transistors | Type: Isolated transistor | Open NPN collector |
| | Maximum operating voltage | 24 Vdc |
| | Maximum operating current | 50 mA |
| | Maximum frequency | 5 imp/s |
| | Impulse duration | 100 ms |
| Build features | Measurement module | DIN Rail 46277 (EN 50022) |
| | Number of modules | 3 |
| Environmental conditions | Operating temperature | -10 °C...+50 °C |
| | Protection degree | Embedded unit: IP51 Terminals: IP31 |
| | Humidity (without condensation) | 5 ... 95% (non-condensing) |
| | Maximum altitude | 2000 m |
| Safety | IEC 61010 Double-insulated electric shock protection, class II | |
| Standards | IEC 664, VDE 0110, UL 94, IEC 801, IEC 348, IEC 571-1, IEC 61000-6-3, IEC 61000-6-1, IEC 61010-1, IEC 61000-4-11, IEC 61000-4-2, IEC 61000-4-3, IEC 61000-4-4, IEC-61000-4-5, EN 55011, CE | |

CVM NET

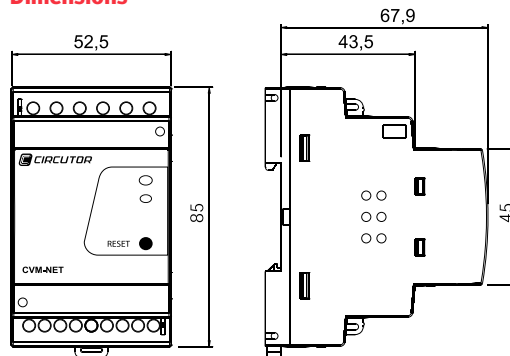
Three-phase power analyzer, assembly on DIN rail - without display

References

| Current input | Protocol | Communications | Type | Code |
|---|------------|----------------|-----------------------------------|---------------------|
| .../5 A | Modbus/RTU | RS-485 | CVM NET ITF-RS485-C2 | M54B21 |
| .../250 mA | Modbus/RTU | RS-485 | CVM NET-MC-ITF-RS485-C2(*) | M54B31 |
| .../333 mV | Modbus/RTU | RS-485 | CVM-NET-mV-RS485-C2 | M54B31000V00 |
| Panel adapter for CVM NET (72 x 72 mm) | | | Panel adapter | M5ZZF1 |

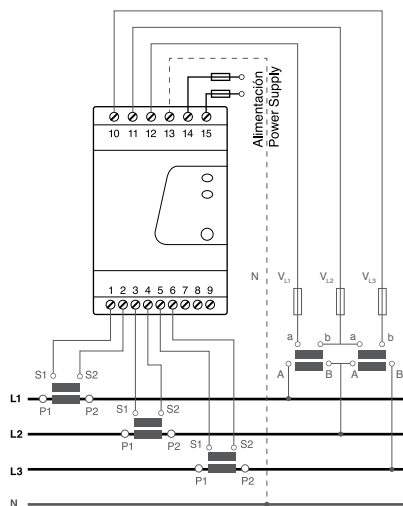
(*) Requires **MC** efficient transformers.

Dimensions

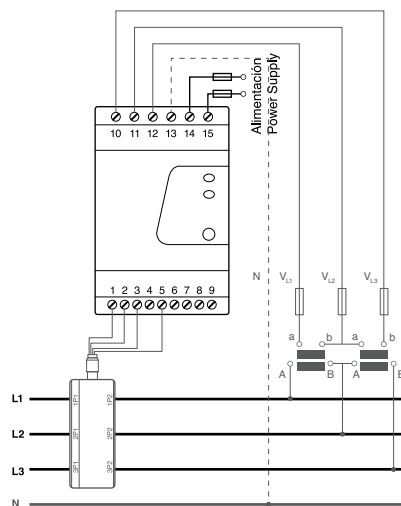


Connections

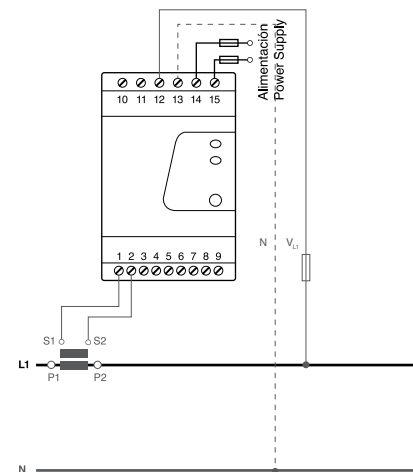
Three-phase + neutral connection
3 voltage transf. + 3 current transf.



Three-phase + neutral connection
MC efficient transformer



Single-phase connection



Coding table

| | | | | | | | | | |
|----------------------|--------------------|---|---|---|---|---|---|---------------|---|
| M | 5 | X | X | X | X | 0 | 0 | X | |
| Code | | | | | | | | Internal code | ↑ |
| Power supply voltage | Standard (230 Vac) | | | | | | | 0 | |
| | 85...285 Vac | | | | | | | | |
| | 95...300 Vdc | | | | | | | C | |

CVM MINI

Three-phase power analyzer, assembly on DIN rail



Description

Three-phase power analyzer (balanced and unbalanced), assembly on DIN rail, with a very compact size, and 4-quadrant measurement.

Other features include:

- Current measurement .../5 or .../1 A or .../250 mA, .../333 mV
- DIN rail format of only 3 modules
- Assembly on 72 x 72 mm panel with adapter front panel
- RS-485 Communications (Modbus-RTU) depending on model
- It features two transistor outputs (programmable)
- With ITF technology: galvanic insulation protection, depending on the type
- Selection of parameters to display
- Selection of the default page
- Universal power supply (optional)
- Sealable

Applications

- Control application on switchboards and low and medium voltage connection points, where an analyzer must be installed on a DIN rail due to space restrictions.
- Alarm control. Maximum value, minimum value and programmable delay.
- Control of active or reactive energy using the impulse output.
- Instantaneous data capture, maximum and minimum values of the electrical parameters measured.

Technical features

| | | |
|---|--|---|
| Power circuit | Standard | 230 Vac (-15...+10%) |
| | Optional | 85...265 Vac / 95...300 Vdc (optional) 20...120 Vdc (optional) |
| | Consumption | 3 V-A |
| | Frequency | 50...60 Hz |
| Measurement circuit | Rated voltage | 300 Vac (p-n) / 520 Vac (p-p) |
| | Frequency | 45...65 Hz |
| | Voltage circuit consumption | 0.7 V-A |
| | Current circuit consumption | ITF 0.9 VA/ Shunt 0.75 VA |
| | Transformers | .../5 A or.../1 A or .../250 mA, .../333 mV |
| | Minimum direct current | 110 mA |
| | Maximum direct current | 6 A |
| Accuracy class | Voltage, Current | 0.5% + 1 digit |
| | Active power, Reactive power | 1% + 2 digit |
| | Active energy Reactive energy | 1% + 2 digit Class 1 |
| Environmental conditions | Operating temperature | -10...+50 °C |
| | Relative humidity | 5 ... 95% |
| | Maximum altitude | 2000 m |
| Optocoupled output transistor (open collector) NPN | Maximum operating voltage | 24 Vdc |
| | Maximum operating current | 50 mA |
| | Maximum frequency of impulses | 5 imp/s |
| | Duration of the impulse | 100 ms |
| Build features | Measurement module | Assembly on DIN 46277 rail (EN 50022) |
| | Protection degree | Embedded unit: IP 51 Terminals: IP 31 |
| | Dimensions | 52.5 x 85 x 67.9 mm (3 modules) |
| Safety | Designed for CAT III 300/520 Vac installations, in accordance with EN 61010 . Double-insulated electric shock protection, class II | |
| Standards | IEC 664, VDE 0110, UL 94, IEC 801, IEC 348, IEC 571-1, EN 61000-6-3, EN 61000-6-1, EN 61010-1 | |

CVM-MINI

Three-phase power analyzer, assembly on DIN rail

References

| Isolated Inp. | Current Inp. | Digital output | Harmonics | Protocol | Communications | Type | Code |
|--------------------------------------|------------------|----------------|-------------|------------|----------------|------------------------------|-------------|
| - | .../1 A, .../5 A | - | - | - | - | CVM MINI | M52000 |
| Yes | .../1 A, .../5 A | 2 | - | - | - | CVM MINI-ITF-C2 | M52011 |
| Yes | .../250 mA | 2 | - | - | - | CVM MINI-MC-ITF-C2 (*) | M52071 |
| Yes | .../1 A, .../5 A | 2 | - | Modbus/RTU | RS-485 | CVM MINI-ITF-RS485-C2 | M52021 |
| Yes | .../250 mA | 2 | - | Modbus/RTU | RS-485 | CVM MINI-MC-ITF-RS485-C2 (*) | M52081 |
| Yes | .../1 A, .../5 A | 2 | U e I (15°) | Modbus/RTU | RS-485 | CVM MINI-ITF-HAR-RS485-C2 | M52031 |
| Yes | .../1 A, .../5 A | 2 | - | Modbus/TCP | TCP/IP | CVM-MINI-ITF-ETH-C2 | M520J1 |
| Yes | .../250 mA | 2 | - | Modbus/TCP | TCP/IP | CVM-MINI-MC-ITF-ETH-C2 (*) | M520L1 |
| Yes | .../1 A, .../5 A | 2 | - | BACnet | - | CVM-MINI-ITF-BACnet-C2 (*) | M520F1 |
| Yes | .../250 mA | 2 | - | BACnet | - | CVM-MINI-MC-BACnet-C2 (*) | M520H1 |
| Yes | .../1 A, .../5 A | 2 | - | LonWoks | LonTalk | CVM MINI-ITF-LonWorks-C2 | M52091 |
| ISO/IEC 14908 – ANSI/EIA 7091 | | | | | | | |
| Yes | .../333 mV | 2 | - | Modbus/RTU | RS-485 | CVM-MINI-mV-RS485-C2 | M520810000V |
| Panel adapter for CVM-MINI (72 x 72) | | | | | | Panel adapter | M5ZZF1 |

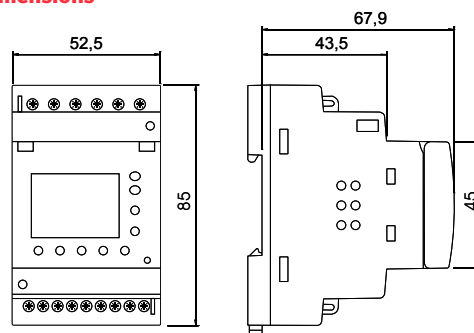
(*) Requires the installation of MC series efficient transformers. – (*) Only available with 230 V_{ac} power supply

Coding table

| M | 5 | X | X | X | X | 0 | 0 | X |
|----------------------|---|---|---|---|---|---|--------------------|----|
| Code | | | | | | | Internal code | ↑ |
| Power supply voltage | | | | | | | Standard (230 Vac) | 0 |
| | | | | | | | 85...285 Vac | C |
| | | | | | | | 95...300 Vdc | |
| | | | | | | | 20...120 Vdc | 5* |

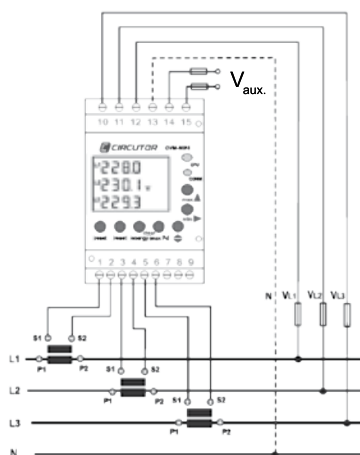
* Only CVM MINI-ITF-RS485-C2

Dimensions

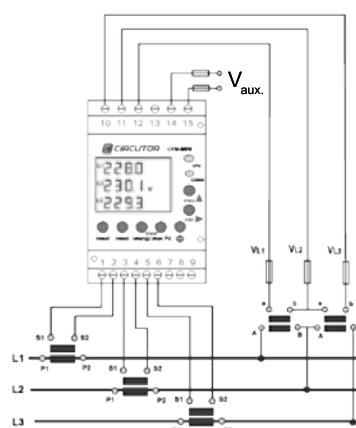


Connections

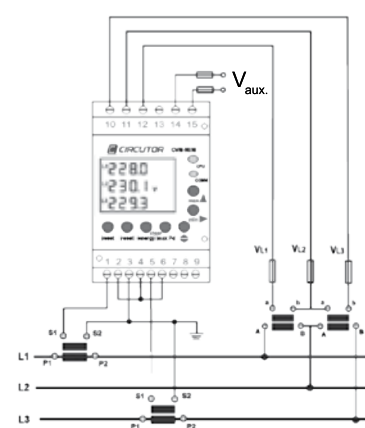
3 or 4 wires (low voltage)



3 wires (2 voltage transformers and 3 current transformers)



3 wires (2 voltage transformers and 3 current transformers)



CVM-NET4+

Multi-channel power analyzer for DIN rail - no display



Description

CVM-NET4+ is a multi-channel power analyzer designed to measure balanced or unbalanced three-phase networks and to measure single-phase networks. Its versatile configuration options enable you to take measurements in single-phase systems, three-phase systems or a combination of both. It has a single three-phase voltage input combined with 12 single-phase channels to measure the current from the **MC efficient current transformers**.

Its main features include:

- Assembly on DIN rail
- Compact size (6 DIN rail modules)
- Measurement of up to 12 single-phase channels or combined single-phase and three-phase current channels.
- Current measurement using efficient **MC** series transformers (.../250 mA)*
- RS-485 Communications (Modbus/RTU)
- 4 programmable digital outputs for alarms or impulses
- Compatible with **PowerStudio /PowerStudio SCADA** / **PowerStudio SCADA Deluxe** software.

Applications

- Measurement of electrical parameters in multi-channel installations, such as data processing centres and switchboards of single-phase loads.
- Simultaneous measurement at 4 different points in three-phase installations
- Its compact size is perfect for assembly on electric panels

Technical features

| | | |
|---------------------------------|---|---|
| Power circuit | Rated voltage | 85...265 Vac / 95...300 Vdc |
| | Power supply frequency | 50...60 Hz |
| | Maximum consumption | 2,9...6 V-A / 3...6 W |
| Measurement circuit | Rated voltage | 300 Vac (Ph-N) / 520 Vdc (Ph-Ph) |
| | Frequency | 45...65 Hz |
| | Nominal current | I_n .../250 mA |
| | Permanent overload | 1,3 I_n |
| | Accuracy class | Voltage, current |
| | Active Power | 1 % (> 90 W) |
| | Active energy | 1 % (class 1) |
| | Communications | Network protocol |
| Communication protocol | | Modbus/RTU |
| Speed | | 9600 / 19200 / 38400 / 57600 bps |
| Length | | 8 |
| Parity | | No parity / odd / even |
| Output transistors | Stop bits | 1 / 2 |
| | Type: Isolated transistor | Open NPN collector |
| | Maximum operation voltage | 24 Vdc |
| | Maximum operation current | 50 mA |
| | Maximum frequency | 5 imp/s |
| | Impulse duration | 100 ms |
| Build features | Measurement module | Assembly on DIN 46277 rail (EN 50022) |
| | Number of modules | 6 |
| | Protection Degree | IP 31, Front panel IP 51 |
| Environmental conditions | Working temperature | -10 ... +50 °C |
| | Humidity (non-condensing) | 5 ... 95% (non-condensing) |
| | Maximum altitude | 2000 m |
| Safety | IEC 61010 Double-insulated electric shock protection, class II | |
| Standards | IEC 664, VDE 0110, UL 94, IEC 801, IEC 348, IEC 571-1, IEC 61000-6-3, IEC 61000-6-1, IEC 61010-1, IEC 61000-4-11, IEC 61000-4-2, IEC 61000-4-3, IEC 61000-4-4, IEC-61000-4-5, EN 55011, CE | |

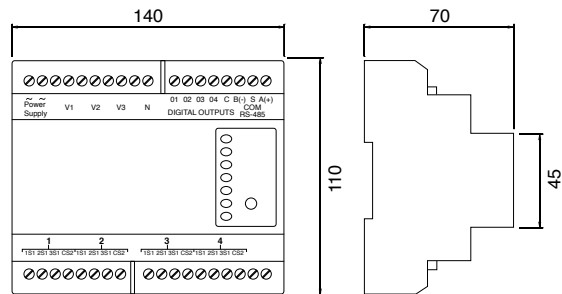
CVM-NET4+

Multi-channel power analyzer
for DIN rail - no display

References

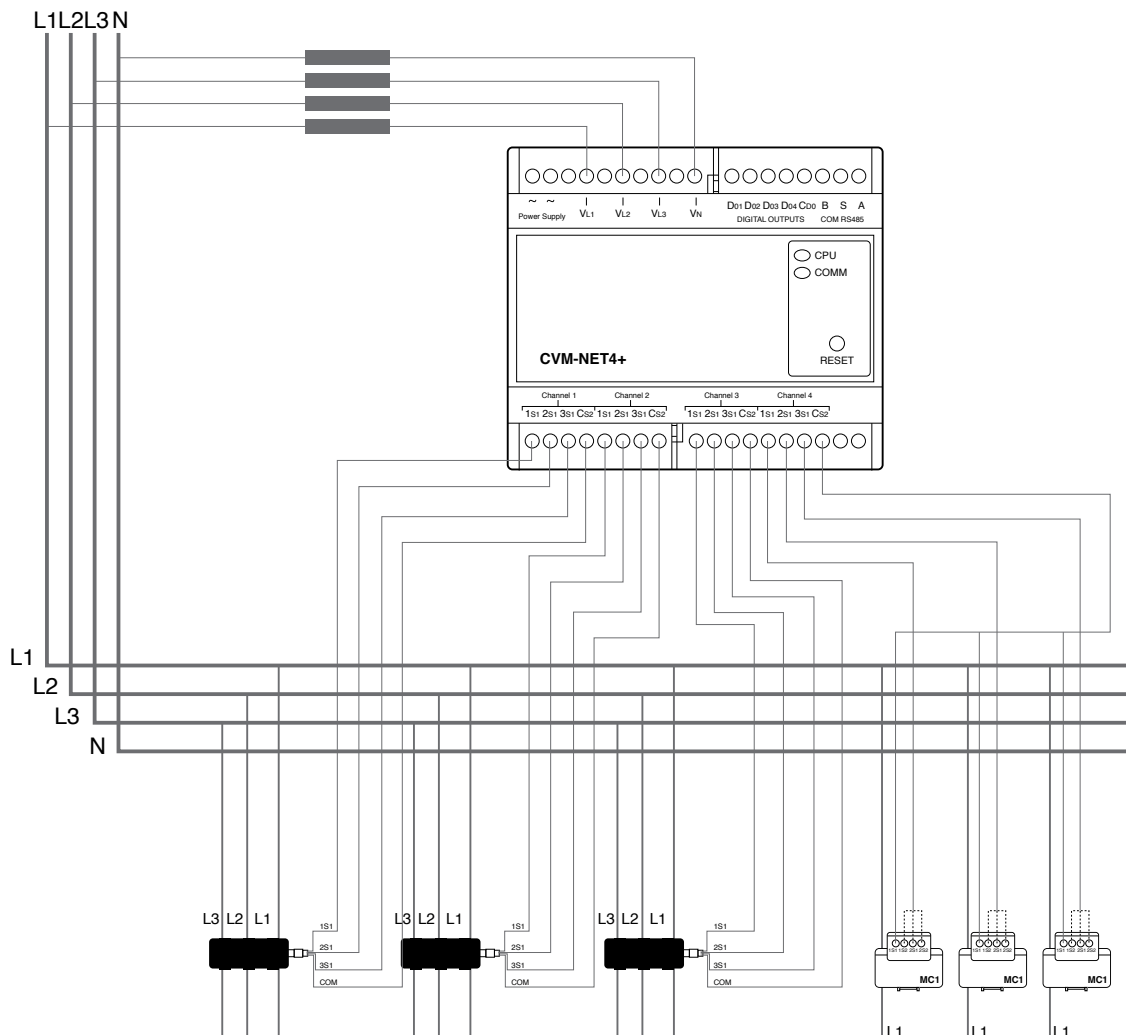
| Type | Code | Communications | Transformer |
|-----------------------|---------------|-------------------|----------------------|
| CVM-NET4+-MC-RS485-C4 | M55782 | RS-485 Modbus/RTU | .../250 mA (type MC) |
| CVM-NET4+-mV-RS485-C4 | M557820000V00 | RS-485 Modbus/RTU | .../333 mV |

Dimensions



Connections

Combined three-phase and single-phase channel connections



PowerStudio



Energy supervision and centralisation software

PowerStudio is a powerful, simple and user-friendly software tool that can be used for the integral supervision of energy of power analyzers, energy meters, earth leakages and offers complete control of a wide range of magnitudes.

PowerStudio, together with CIRCUTOR units and systems, adapts to the needs of the installation, offering the following efficient management measures:

Versions

PowerStudio is available in three versions with different features, to suit the needs of the particular management system.



Energy management

- Creation of historical logs
- Baseline determination
- Control of energy costs
- Energy balance
- Energy consumption ratios
- Consumption reports

Essential tool for UNE 16001 / ISO 50001 certification

Improved productivity

Maintenance

- Alarm tables
- Power quality control
- Variables analysis and management
- Technical reports

Production costs

- Correct allocation of energy costs
- Energy ratio / unit of production
- Cost reports / production ratios



Additional software



SQL[®] DATA

Modules for exporting historical logs to an SQL server

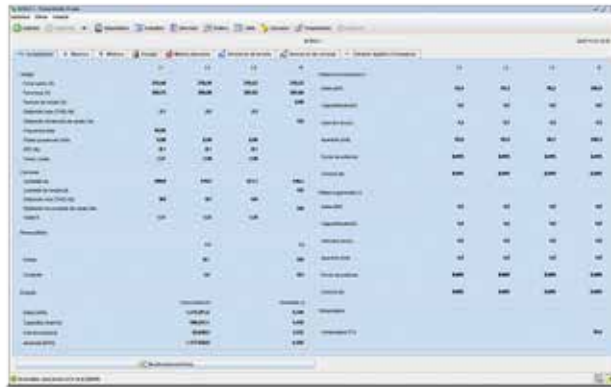


OPC-DA

Data connector for external systems with an OPC-DA client

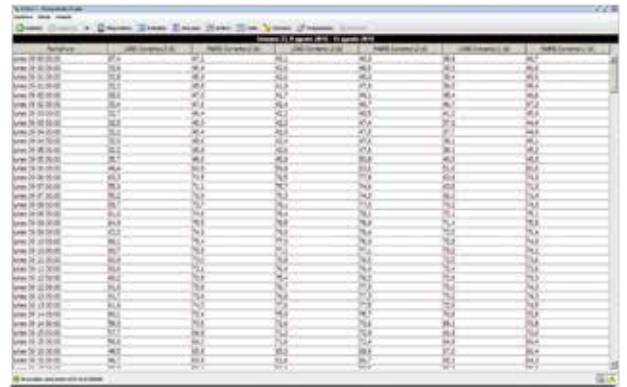
Real time variables

Displays all variables measured from all units in real time.



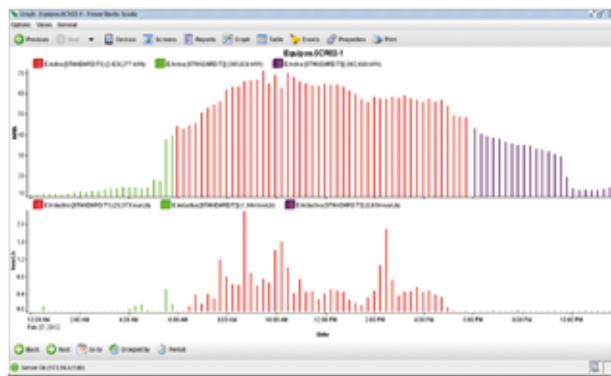
Tables

Displays data on tables; this information can be exported to .txt or .csv files.



Graphics

Graphical representation of the historical data recorded by software. Enables configuration of colours and layout individually. Displays multiple parameters simultaneously.



SCADA screens

With **SCADA** screens you can configure all kinds of interactive windows, create personalised screens and combine different parameters from different CIRCUTOR units easily, thus obtaining the maximum amount of information possible in an intuitive and user-friendly environment.



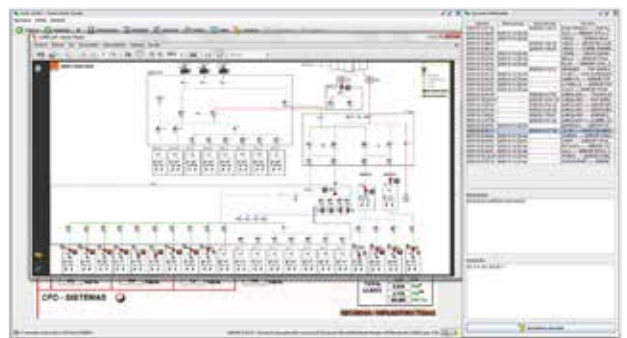
Reports

PowerStudio SCADA can generate reports for all types of bills, with the allocation of partial costs, production ratios, etc.



Events

With the events module, you can control and automate alarms and events, automatically controlling the installation's most critical and important conditions.



Accessories



TC, TCH y TP | Transformers

These units can be installed in installations with space restrictions. They are designed with a wide range of diameters and operating current values. They are easily installed, ideal for switch outputs and provide highly accurate measurement. They can be mounted on panels or assembled on DIN rails with accessories.



STP-24 | Transformers

Open-core current transformers with compact dimensions for easy installation. This type of transformer is very easy to install and uninstall on compact panels. In addition, these open-core transformers can measure current without the need to cut the power supply.



MC1 | Transformers

Very useful for installing in places where the exact nominal current range is not known. Each unit features 3 ratio ranges. Compliant with the **IEC 60044-1** Standard, featuring a 250 mA output for more efficient measurements.



MC3 | Transformers

The new system comprises three efficient transformers in the same enclosure. This innovative design provides important advantages during installation. Compliant with the **IEC 60044-1** Standard, featuring a 250 mA output for more efficient measurements.



RS2RS | Converter

Gateway that converts an RS-232 channel to RS-485. It can also operate as an amplifier-repeater of the signals of the RS-485 bus.



TCP1RS+ | Converter

Gateway designed to convert the Ethernet physical environment to RS-485.



CMBUS-8/24 | Converter

Gateway designed to convert the M-Bus protocol to Modbus, with up to 24 slave units.



TCP2RS+ | Converter

Gateway designed to convert the Ethernet physical environment to RS-485.

Wireless system



AirGATEWAY | Converter

AirGATEWAY converts the Modbus serial environment to Radio.



AirBRIDGE | Converter

AirBRIDGE converts Radio signals to Modbus RS-485 signals for slave units.



AirREPEATER | Repeater

AirREPEATER is a repeater unit that expands the range of the Radio signal.



AirTHL | Sensor

AirTHL provides the infrastructure with wireless communications and can measure temperature, humidity and brightness.



AirHANZER | Repeater

AirHANZER is a handheld unit that measures radio signals, providing information about the available coverage and the need to install a repeater unit.

Advanced system for absolute management

CVM

Power Analyzers

+ info: comunicacion@circutor.com

www.circutor.com



CIRCUTOR, SA - Vial Sant Jordi, s/n
08232 Viladecavalls (Barcelona) Spain
Tel. (+34) **93 745 29 00** - Fax: (+34) **93 745 29 14**
central@circutor.es

